

DESCRIPTION

Solenoid operated pinch valve with dry armature.
 The tube is the only part in contact with the fluid.
 The internal diameter determines the flow.
 Elimination of dirt traps. Maximisation of valve coefficient.
 Fluid flow can be bi-directional.
 Use soft tube (not supply by us) hardness 50°Sh A ±3°



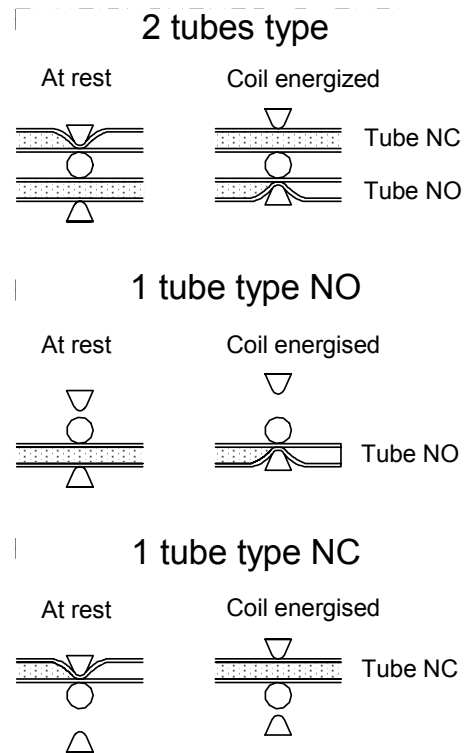
CONSTRUCTION

Body	Anodized aluminium
Yoke	Acetal copolymer
Armature tube	Nickel plated brass
Plunger and core	Stainless steel
Springs	Stainless steel
Flange	Stainless steel

FEATURES

Ambient temperature : -10°C +40°C
 Maximum fluid viscosity 65 cSt (mm²/s)
 Preferred mounting position with vertical coil above

NOTE : the right operating of the solenoid valve is bound by a correct choice of the soft tube



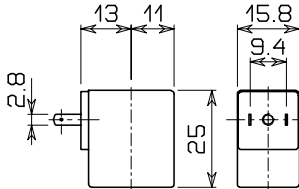
CODE	Tube		Pinch force grams	Version	Coil		Nominal Power Watt
	Øext. +0.2 0	Min thickness wall			Width	Series	
D730/30/..... ^①	3	0,7	250	2tubes 1NC-1NO	16	6	8
D710/30/.....	3	0,7	250	1tube NC	16	6	4
D720/30/.....	3	0,7	250	1tube NO	16	6	4

① Coil Example: D730/30/60048
 Version with 2 tubes 12V DC 8W ED25%

COIL	Direct Current				Electrical connection	Connector
	12V		24V			
	4W	8W	4W	8W		
Series 6 CODE Width 16 ①	60014	60048	60114	60148	AMP 2.8X0.5	PG7 10348040

DESCRIPTION
 Class F insulation
 Voltage tolerance $\pm 5\%$
 Protection class
 IP65 with connector fitted
 IP00 without connector
 Continuous service ED100%

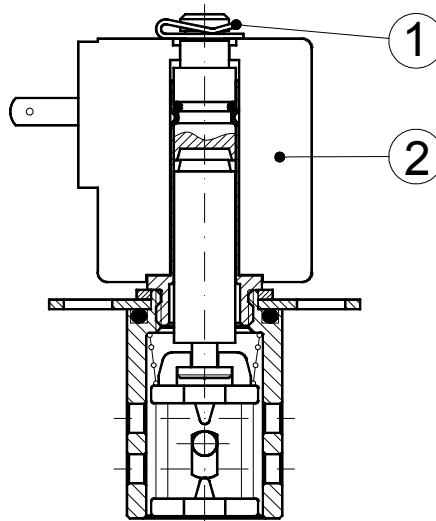
OPTIONS
 Cable attached
 Special coil powers
 Special coil voltages



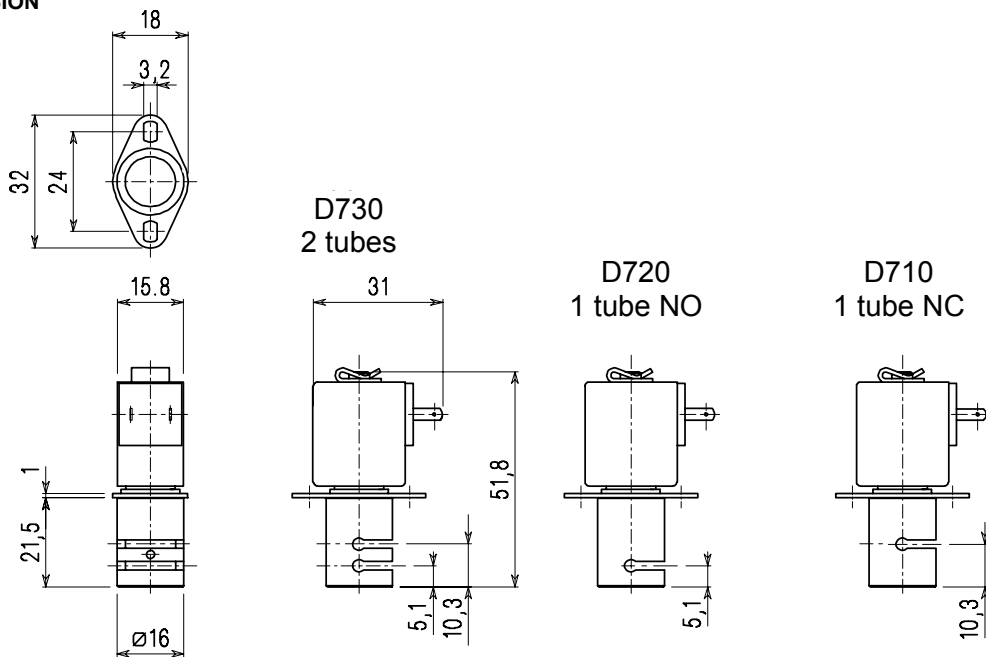
Series 6 Weight 0.02Kg

SPARE PARTS LIST

1. Coil fixing nut
2. Coil



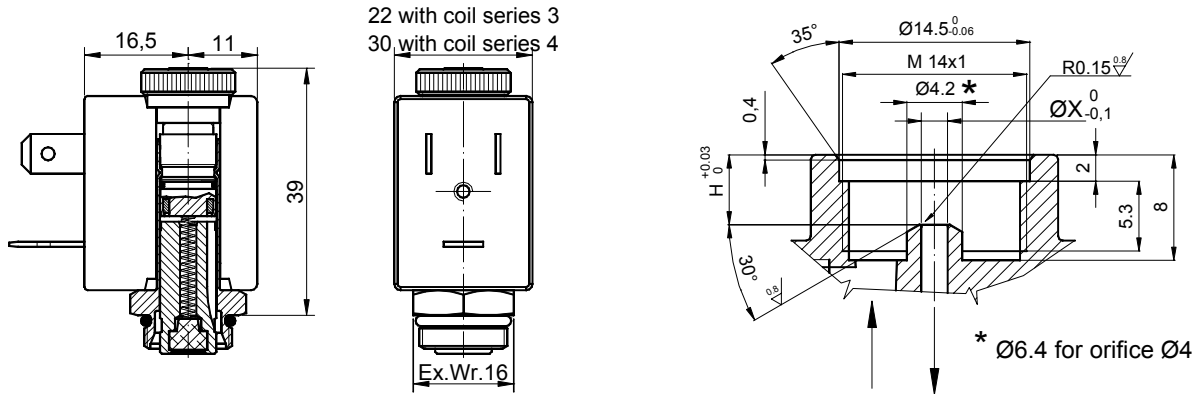
OVERALL DIMENSION



Weight = 0.04 Kg

DESCRIPTION

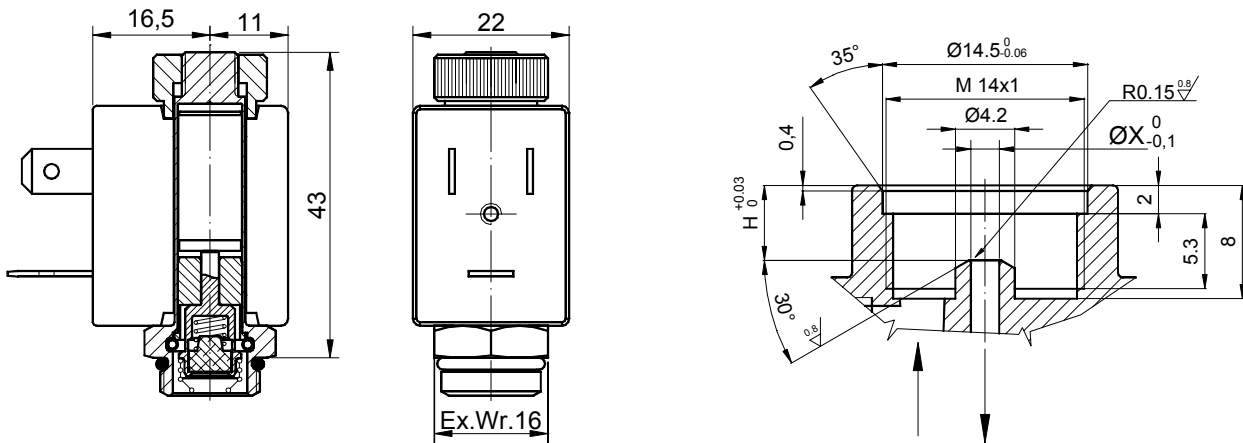
Solenoid pilot 2 way normally closed. Tube Ø10.



CODE		Ø X mm	H mm	Differential pressure bar		Nominal power			Coil		Seal	Temp. range °C	
Brass Tube	S.Steel Tube			Min	Max		AC Inrush	VA Holding	DC Watt	Series			Width
					AC	DC							
E510	E512.....	1.2	5	0	25	25	12	8	6.5	3	22	NBR=B EPDM=E FPM=V	-10 +90 <140 -10 +130
		1.5	5.1	0	16	16	12	8	6.5	3	22		
		2	5.2	0	12	10	12	8	6.5	3	22		
		2.5	5.4	0	8	5.5	12	8	6.5	3	22		
		3.1	5.5	0	5	2	12	8	6.5	3	22		
E510...40	E512...40	4	5.6	0	4	1.5	12	8	6.5	3	22		
E510	E512.....	2	5.2	0	25	15	15	11	5	4	30		
		2.5	5.4	0	16	8	15	11	5	4	30		
		3.1	5.5	0	8	4	15	11	5	4	30		
E510...40	E512...40	4	5.6	0	5	2.5	15	11	5	4	30		

DESCRIPTION

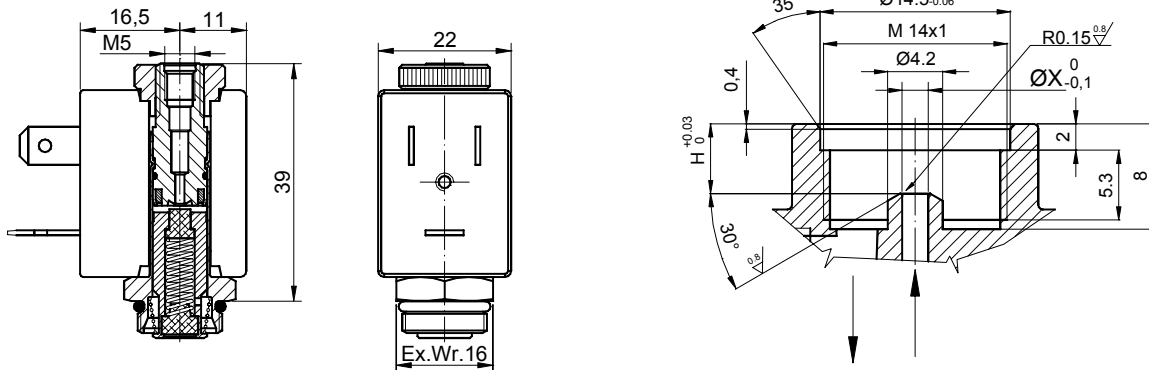
Solenoid pilot 2 way normally open. Tube Ø10.



CODE		Ø X mm	H mm	Differential pressure bar		Nominal power			Coil		Seal	Temp. range °C	
Brass Tube	S.Steel Tube			Min	Max		AC Inrush	VA Holding	DC Watt	Series			Width
					AC	DC							
E520	E522.....	1.2	5	0	19	19	12	8	6.5	3	22	NBR=B EPDM=E FPM=V	-10 +90 <+140 -10 +130
		1.5	5.1	0	14	14	12	8	6.5	3	22		
		2	5.2	0	8	8	12	8	6.5	3	22		
		2.5	5.4	0	4.5	4.5	12	8	6.5	3	22		
		3.1	5.5	0	2.5	2.5	12	8	6.5	3	22		

DESCRIPTION

Solenoid pilot 3 way normally closed. Tube Ø10.

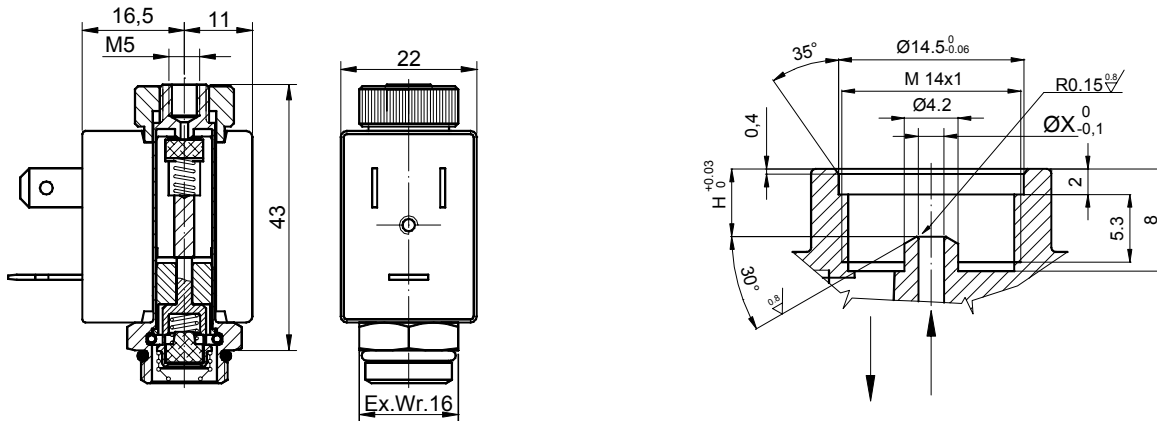


Hosetail exhaust on request

CODE		Ø X mm	Ø exh. mm	H mm	Differential pressure bar			Nominal power			Coil		Seal	Temp. range °C
Brass Tube	S.Steel Tube				Min	Max		AC Inrush	VA Holding	DC Watt	Series	Width		
						AC	DC							
E530	E532.....	1.2	1.5	5	0	15	15	12	8	6.5	3	22	NBR=B	-10 +90
		1.5	1.5	5.1	0	10	10	12	8	6.5	3	22	EPDM=E	<140
		2	1.7	5.2	0	6	6	12	8	6.5	3	22	FPM=V	-10 +130

DESCRIPTION

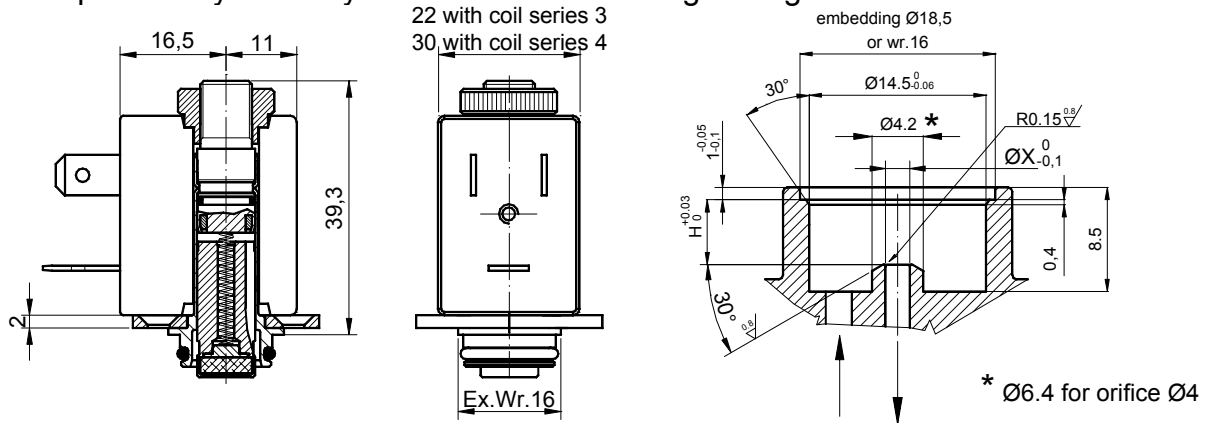
Solenoid pilot 3 way normally open. Tube Ø10.



CODE		Ø X mm	Ø exh. mm	H mm	Differential pressure bar			Nominal power			Coil		Seal	Temp. range °C
Brass Tube	S.Steel Tube				Min	Max		AC Inrush	VA Holding	DC Watt	Series	Width		
						AC	DC							
E540		1.2	1.5	5	0	12	8	12	8	6.5	3	22	NBR=B	-10 +90
		1.5	1.5	5.1	0	9	6	12	8	6.5	3	22	EPDM=E	<140
														FPM=V

DESCRIPTION

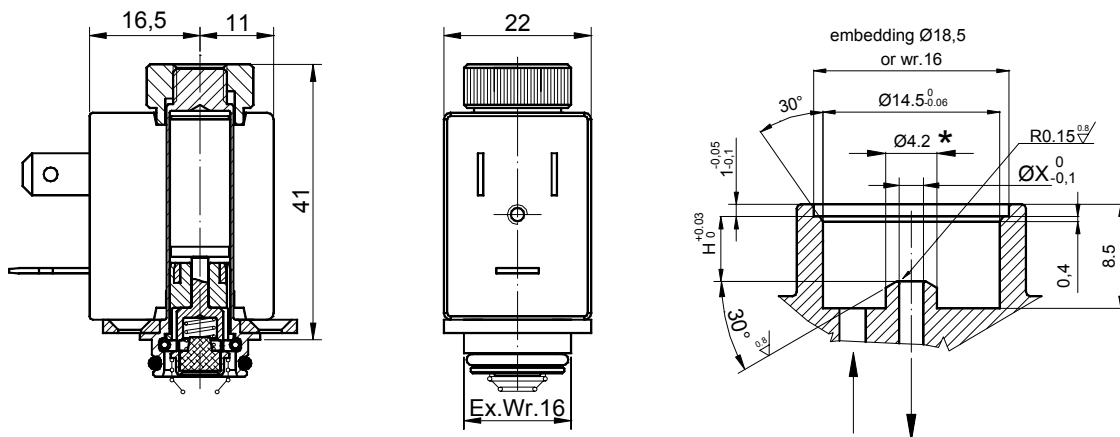
Solenoid pilot 2 way normally closed. Tube Ø10 flange fixing.



CODE		Ø X mm	H mm	Differential pressure bar			Nominal power			Coil		Seal	Temp. range °C
Brass Tube	S.Steel Tube			Min	Max		AC Inrush	VA Holding	DC Watt	Series	Width		
					AC	DC							
E570	E572.....	1.2	5	0	25	25	12	8	6.5	3	22	NBR=B EPDM=E FPM=V	-10 +90 <140 -10 +130
		1.5	5.1	0	16	16	12	8	6.5	3	22		
		2	5.2	0	12	10	12	8	6.5	3	22		
		2.5	5.4	0	8	5.5	12	8	6.5	3	22		
		3.1	5.5	0	5	2	12	8	6.5	3	22		
E570...40	E572...40	4	5.6	0	4	1.5	12	8	6.5	3	22		
E570	E572.....	2	5.2	0	25	15	15	11	5	4	30		
		2.5	5.4	0	16	8	15	11	5	4	30		
		3.1	5.5	0	8	4	15	11	5	4	30		
E570...40	E572...40	4	5.6	0	5	2.5	15	11	5	4	30		

DESCRIPTION

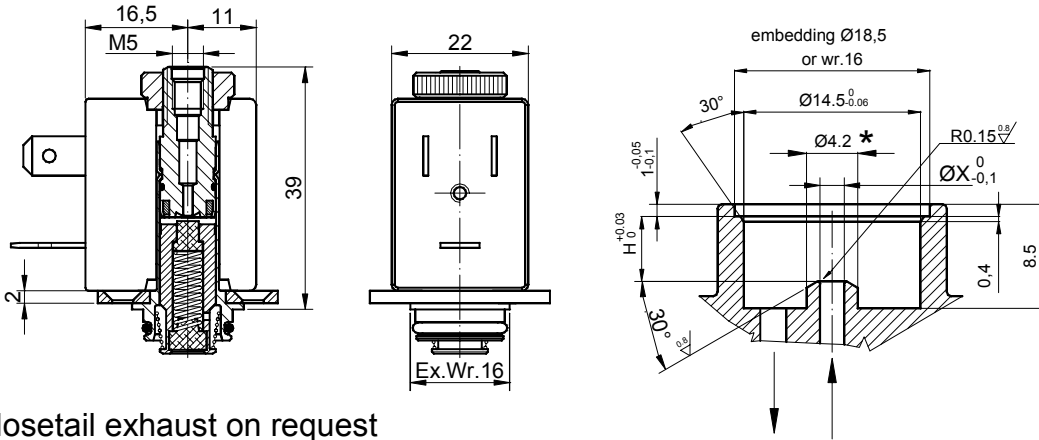
Solenoid pilot 2 way normally open. Tube Ø10 flange fixing.



CODE		Ø X mm	H mm	Differential pressure bar			Nominal power			Coil		Seal	Temp. range °C
Brass Tube	S.Steel Tube			Min	Max		AC Inrush	VA Holding	DC Watt	Series	Width		
					AC	DC							
E575		1.2	5	0	19	19	12	8	6.5	3	22	NBR=B EPDM=E FPM=V	-10 +90 <+140 -10 +130
		1.5	5.1	0	14	14	12	8	6.5	3	22		
		2	5.2	0	8	8	12	8	6.5	3	22		
		2.5	5.4	0	4.5	4.5	12	8	6.5	3	22		
		3.1	5.5	0	2.5	2.5	12	8	6.5	3	22		

DESCRIPTION

Solenoid pilot 3 way normally closed. Tube Ø10 flange fixing.

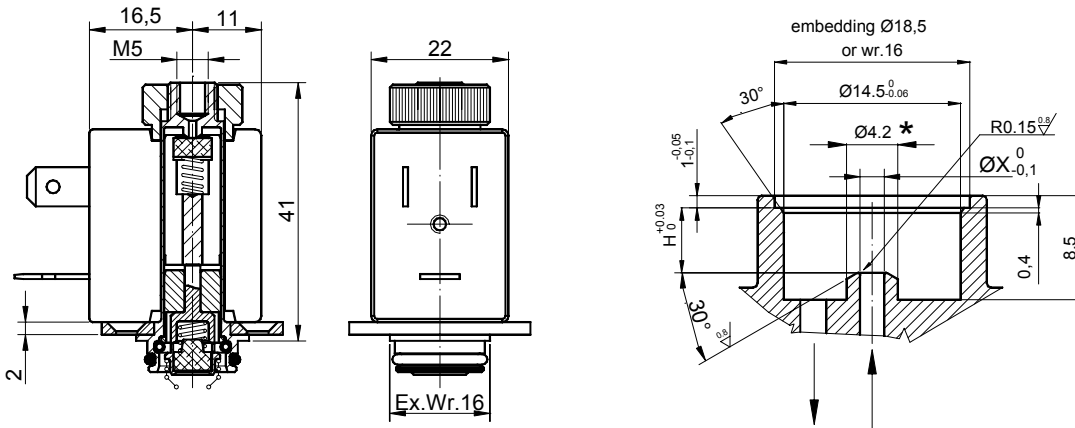


Hosetail exhaust on request

CODE		Ø X mm	Ø exh. mm	H mm	Differential pressure bar			Nominal power			Coil		Seal	Temp. Range °C
Brass Tube	S.Steel Tube				Min	Max		AC Inrush	VA Holding	DC Watt	Series	Width		
						AC	DC							
E580	E582.....	1.2	1.5	5	0	15	15	12	8	6.5	3	22	NBR=B	-10 +90
		1.5	1.5	5.1	0	10	10	12	8	6.5	3	22	EPDM=E	<140
		2	1.7	5.2	0	6	6	12	8	6.5	3	22	FPM=V	-10 +130

DESCRIPTION

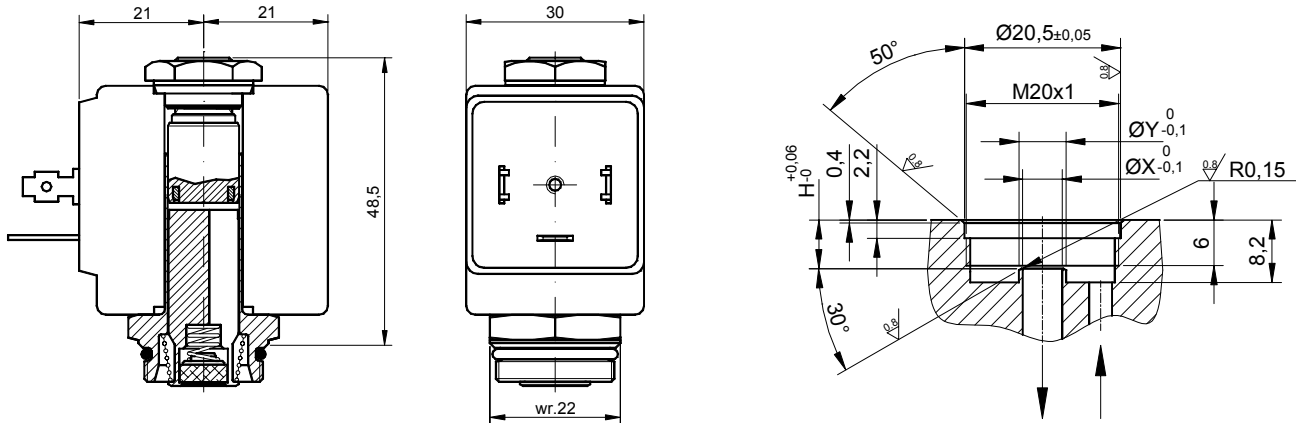
Solenoid pilot 3 way normally open. Tube Ø10 flange fixing.



CODE		Ø X mm	Ø exh. mm	H mm	Differential pressure bar			Nominal power			Coil		Seal	Temp. range °C
Brass Tube	S.Steel Tube				Min	Max		AC Inrush	VA Holding	DC Watt	Series	Width		
						AC	DC							
E585		1.2	1.5	5	0	12	8	12	8	6.5	3	22	NBR=B	-10 +90
		1.5	1.5	5.1	0	9	6	12	8	6.5	3	22	EPDM=E	<140
													FPM=V	-10 +130

DESCRIPTION

Solenoid pilot 2 way normally closed. Tube Ø13.

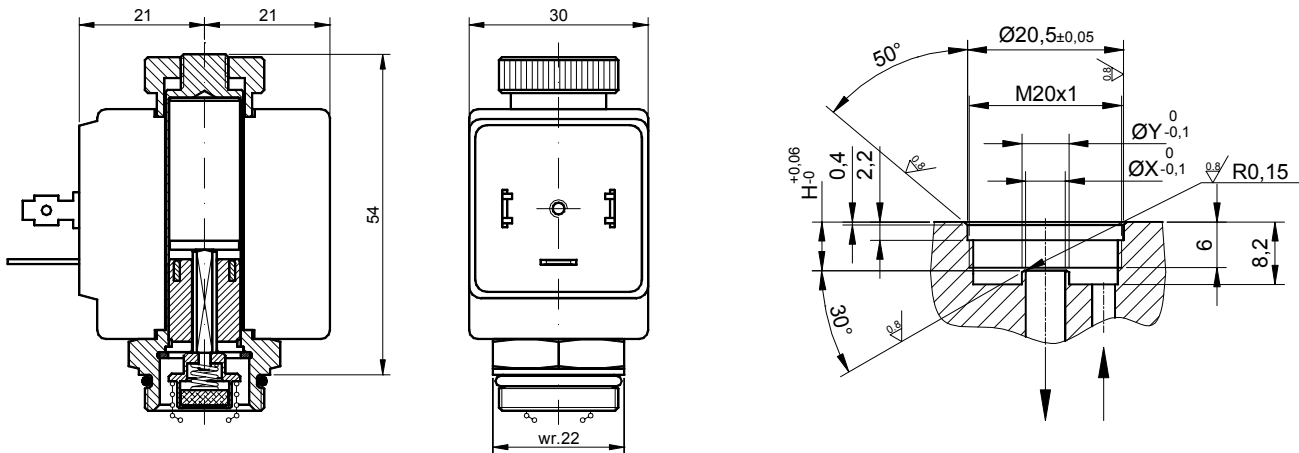


Available version for X=Ø6.4mm

CODE S.Steel Tube	Ø X mm	H mm	ØY mm	Differential pressure bar			Nominal power			Coil		Seal	Temp. range °C
				Min	Max		AC Inrush	VA Holding	DC Watt	Series	Width		
					AC	DC							
E610.....	1.5	6.2	4.2	0	30	26	20	15	10	2	30	NBR=B	-10 +90
	2	6.2	4.2	0	22	20	20	15	10	2	30		
	2.5	6.2	4.2	0	16	14	20	15	10	2	30		
	3.5	6.2	6.2	0	10	8	20	15	10	2	30	FPM=V	-10 +130
	4.5	6.4	6.2	0	6.5	3.5	20	15	10	2	30		
5.2	6.4	6.2	0	4	1.8	20	15	10	2	30			

DESCRIPTION

Solenoid pilot 2 way normally open. Tube Ø13.



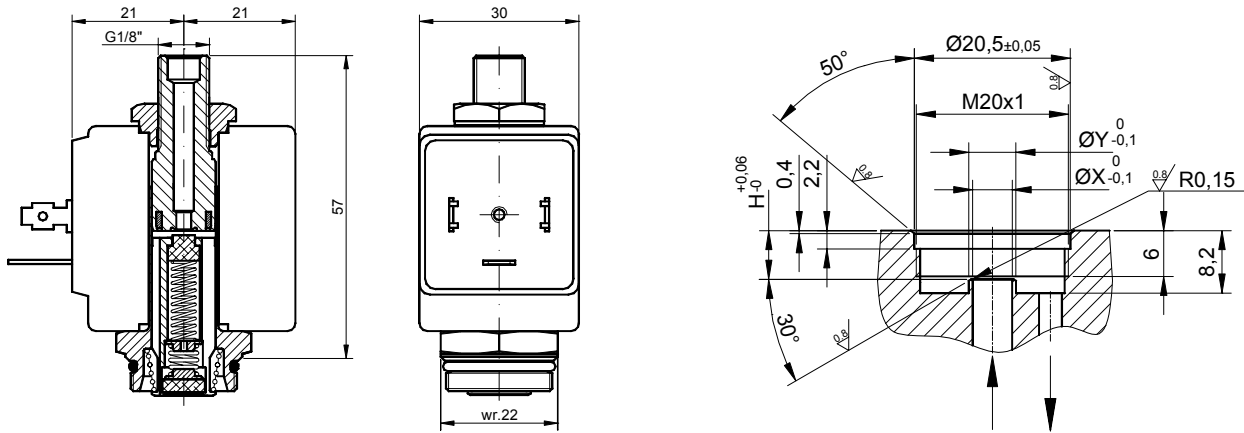
CODE S.Steel Tube	Brass Tube	Ø X mm	H mm	ØY mm	Differential pressure bar			Nominal power			Coil		Seal	Temp. range °C
					Min	Max		AC Inrush	VA Holding	DC Watt	Series	Width		
						AC	DC							
E620	E622	1.5	6.2	4.2	0	23	23	20	15	10	2	30	NBR=B	-10 +90
		2	6.2	4.2	0	17	17	20	15	10	2	30		
		2.5	6.2	4.2	0	12	12	20	15	10	2	30		
		3.5	6.2	6.2	0	7	4 ③	20	15	10	2	30	FPM=V	-10 +130
		4.5	6.4	6.2	0	4.5	3 ③	20	15	10	2	30		
5.2	6.4	6.2	0	3	2.2 ③	20	15	10	2	30				

③ Only for the DC on the orifices Ø 3,5 - 4,5 - 5,2 the code is D620 or D622

ØX must be specified in the order

DESCRIPTION

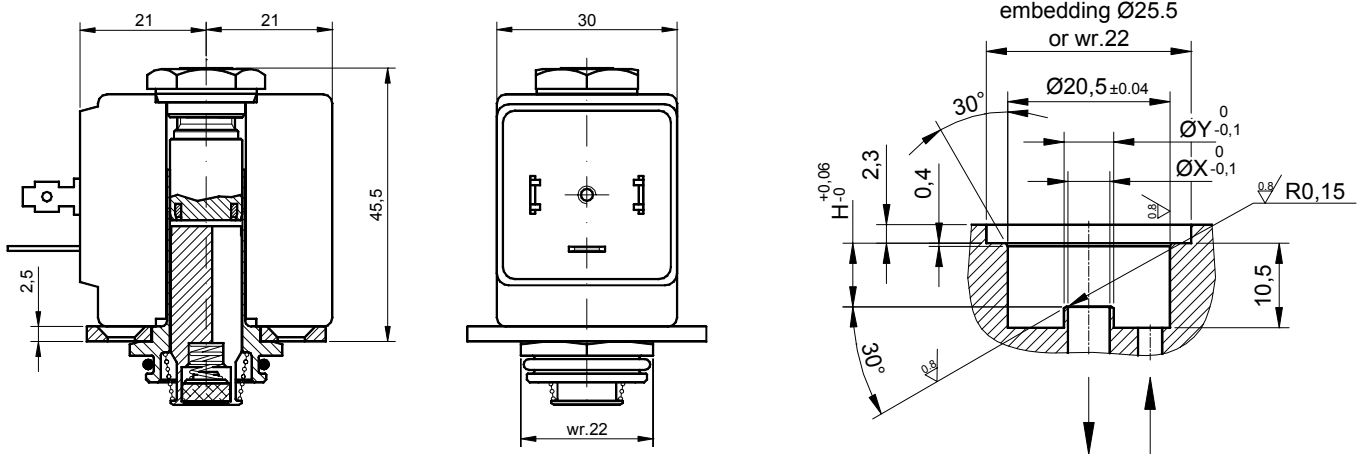
Solenoid pilot 3 way normally closed. Tube Ø13.



CODE S.Steel Tube	Ø X mm	H mm	Ø exh. mm	ØY mm	Differential pressure bar			Nominal power			Coil		Seal	Temp. range °C
					Min	Max		AC Inrush	VA Holding	DC Watt	Series	Width		
						AC	DC							
E630	1.5	6.2	2.4	4.2	0	20	20	20	15	10	2	30	NBR=B	-10 +90
	2	6.2	2.4	4.2	0	13	13	20	15	10	2	30	EPDM=E	<140
	2.5	6.2	2.4	4.2	4.2	0	10	10	20	15	10	2	30	FPM=V

DESCRIPTION

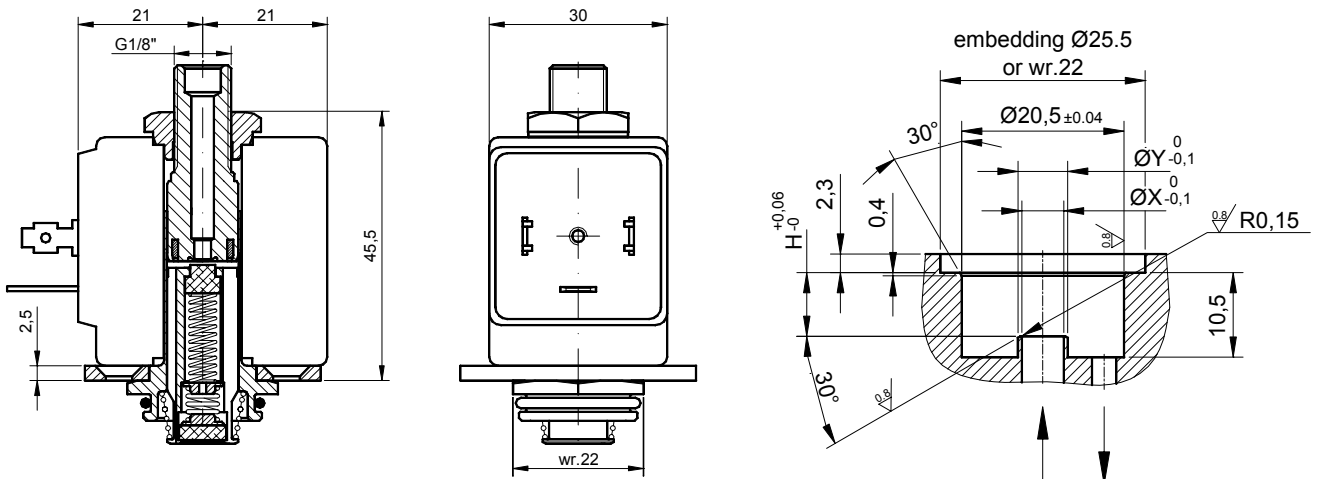
Solenoid pilot 2 way normally closed. Tube Ø13 flange fixing.



CODE S.Steel Tube	Ø X mm	H mm	ØY mm	Differential pressure bar			Nominal power			Coil		Seal	Temp. range °C
				Min	Max		AC Inrush	VA Holding	DC Watt	Series	Width		
					AC	DC							
E670.....	1.5	7.7	4.2	0	30	26	20	15	10	2	30	NBR=B	-10 +90
	2	7.7	4.2	0	22	20	20	15	10	2	30		
	2.5	7.7	4.2	0	16	14	20	15	10	2	30		
	4.5	7.9	6.2	0	6.5	3.5	20	15	10	2	30	FPM=V	-10 +130
	5.2	7.9	6.2	0	4	1.8	20	15	10	2	30		

DESCRIPTION

Solenoid pilot 3 way normally closed. Tube Ø13 flange fixing.



CODE S.Steel Tube	Ø X mm	H mm	Ø exh. mm	ØY mm	Differential pressure bar			Nominal power			Coil		Seal	Temp. range °C
					Min	Max		AC Inrush	VA Holding	DC Watt	Series	Width		
						AC	DC							
E680	1.5	7.7	2.4	4.2	0	20	20	20	15	10	2	30	NBR=B	-10 +90
	2	7.7	2.4	4.2	0	13	13	20	15	10	2	30	EPDM=E	<140
	2.5	7.7	2.4	4.2	0	10	10	20	15	10	2	30	FPM=V	-10 +130

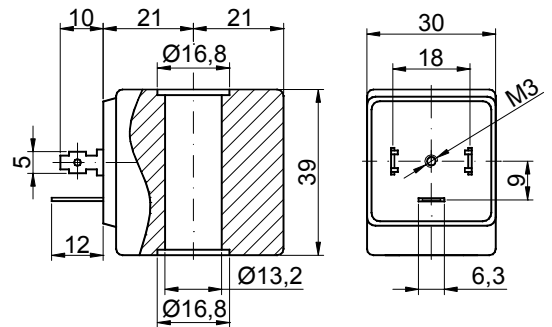
DESCRIPTION

Encapsulated coil incorporating the magnetic circuit.
 Fixing by means of a central nut.
 Electrical connection according to DIN 43650 A.



CONSTRUCTION

Encapsulation:
 Class F Fibre-glass Nylon
 Class H Fibre-glass Polyarylamide
 Magnetic circuit: Zinc-plated steel
 Windings: Copper covered with class H insulation



OPTIONS : Electrical connection through cable
 Special powers and voltages
 Self-extinguish

Certified version



CODE		Alternating Current Frequency 50/60Hz Voltage Volt	Direct Current Voltage Volt	Power ①		Voltage tolerance		Connector	Service ED
Insulation class F	Insulation class H			Alternating Current VA	Direct Current Watt	Alternating Current	Direct Current		
20A	22A	12	---	15	10	+15%	±10%	10349000	100%
20B	22B	24	---						
20C	22C	48	---						
20D	22D	110	---						
20E	22E	220/230	---						
20F	22F	240	---			-10%			
20G	22G	380	---						
200	220	---	12						
201	221	---	24						
202	222	---	48						
/	U25D	120V 60Hz	cRU [®] US						
/	U25E	230V 60Hz							

① Considering nominal voltage and an ambient temperature of 20°C

DESCRIPTION

Encapsulated coil incorporating the magnetic circuit.
 Fixing by means of central nut.
 Electrical connection according to DIN 46244.



CONSTRUCTION

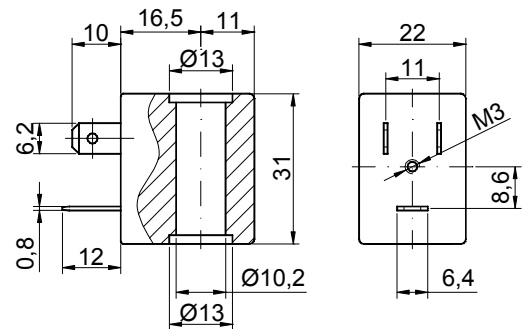
Encapsulation:

Class F Fibre-glass Nylon

Class H Fibre-glass Polyarylamide

Magnetic circuit: Zinc-plated steel

Windings: Copper covered with class H insulation



OPTIONS : Electrical connection through cable
 Special coil powers
 Special coil voltages
 Self-extinguish

Certified versions



CODE		Alternating Current Frequency 50/60Hz Voltage Volt	Direct Current Voltage Volt	Power ①		Voltage tolerance		Connector	Service ED
Insulation class F	Insulation class H			Alternating Current VA	Direct Current Watt	Alternating Current	Direct Current		
30A	32A	12	---	8	6.5	+15%	±10%	10348000	100%
30B	32B	24	---						
30C	32C	48	---						
30D	32D	110	---						
30E	32E	220/230	---						
30F	32F	240	---						
30G	32G	380	---						
300	320	---	12						
301	321	---	24						
302	322	---	48						
/	U35D	120V 60Hz	UL US						
/	U35E	230V 60Hz							
/	V32E	220/230	VDE						

① Considering nominal voltage and an ambient temperature of 20°C

DESCRIPTION

Encapsulated coil incorporating the magnetic circuit.
 Fixing by means of a central nut.
 Electrical connection according to DIN 43650 A.



CONSTRUCTION

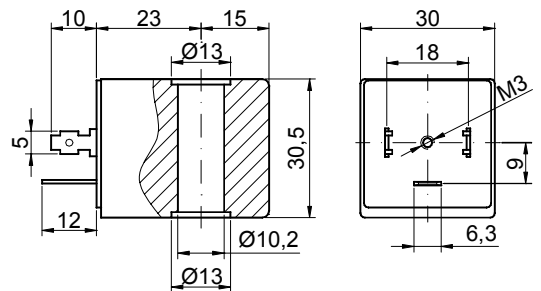
Encapsulation:

Class F Fibre-glass Nylon

Class H Fibre-glass Polyarylamide

Magnetic circuit: Zinc-plated steel

Windings: Copper covered with
 class H insulation



OPTIONS : Electrical connection through cable
 Special powers and voltages
 Self-extinguish

CODE		Alternating Current Frequency 50/60Hz Voltage Volt	Direct Current Voltage Volt	Power ①		Voltage tolerance		Connector	Service ED
Insulation class F	Insulation class H			Alternating Current VA	Direct Current Watt	Alternating Current	Direct Current		
40A	42A	12	---	11	5	+15%	±10%	10349000 10349001 10349060	100%
40B	42B	24	---						
40C	42C	48	---						
40D	42D	110	---			-10%			
40E	42E	220/230	---						
40F	42F	240	---						
40G	42G	380	---						
400	420	---	12						
401	421	---	24						
402	422	---	48						

① Considering nominal voltage and an ambient temperature of 20°C

DESCRIPTION

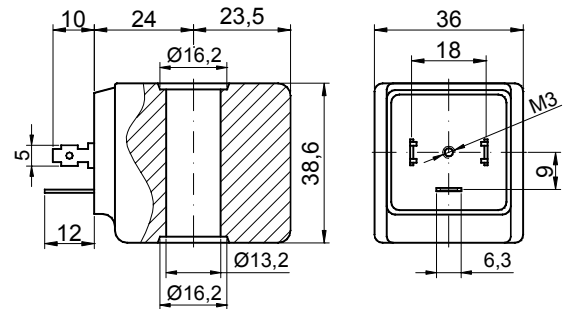
Encapsulated coil incorporating the magnetic circuit.
 Fixing by means of a central nut.
 Electrical connection according to DIN 43650 A.



CONSTRUCTION

Encapsulation:
 Class H Fibre-glass Polyarylamide

Magnetic circuit: Zinc-plated steel
 Windings: Copper covered with class H insulation



OPTIONS : Electrical connection through cable
 Special coil powers
 Special coil voltages
 Self-extinguish

CODE Insulation class H	Alternating Current Frequency 50/60Hz Voltage Volt	Direct Current Voltage Volt	Power ①		Voltage tolerance		Connector	Service ED
			Alternating Current VA	Direct Current Watt	Alternating Current	Direct Current		
52A	12	---	30	27	+15%	±10%	10349000 10349001 10349060	100%
52B	24	---						
52C	48	---						
52D	110	---			-10%			
52E	220/230	---						
52F	240	---						
52G	380	---						
520	---	12						
521	---	24						
522	---	48						

7

① Considering nominal voltage and an ambient temperature of 20°C

DESCRIPTION

Encapsulated coil incorporating magnetic circuit.
 Fixing by means of a central nut.
 Electrical connection according to AMP 2.8x0.5 .

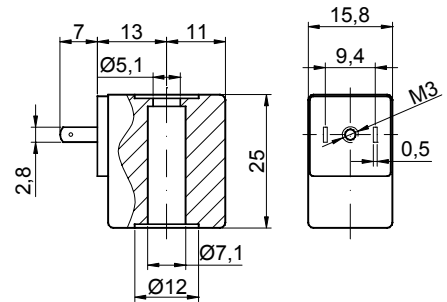


CONSTRUCTION

Encapsulation:
 Class F Fibre-glass Nylon

Magnetic circuit: Zinc-plated steel

Windings: Copper covered with
 class H insulation



OPTIONS : Electrical connection through cable
 Special coil powers
 Special coil voltages
 Self-extinguish

CODE Insulation Class F	Direct Current Voltage Volt	Power ① Direct Current Watt	Voltage tolerance	Connector	Service ED
60014	12	4	±5%	10348040	100%
60048	12	8			25%
60114	24	4			100%
60148	24	8			25%
60012	12	2			100%
60112	24	2			100%

① Considering nominal voltage and an ambient temperature of 20°C

DESCRIPTION

Encapsulated coil with self-extinguish nylon and incorporating a thermal resistor and a thermal fuse. This design prevents any problems of overheating or sparking occurring making it particularly suitable for use in potentially explosive ambient.



COSTRUZIONE

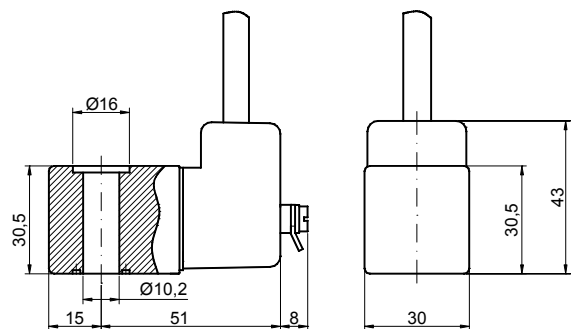
Encapsulation: Self-extinguish Nylon
 Class F
 Magnetic circuit: Zinc-plated steel
 Windings: Copper covered with class H insulation

ELECTRICAL CONNECTION

3-core cable 300 cm.

AMBIENT TEMPERATURE

-20°C +40°C



CERTIFICATE

Conforms with the European standards for the manufacturing of electrical components for use in potentially explosive atmospheres.

EN 50014-1997+ A1...A2

E50025-1997, IEC 60079-18:2002

European Community Standard 97/9/CE

EEx m II T4 INERIS 06ATEX0002X
CE 0080 Ex II 2 GD

7

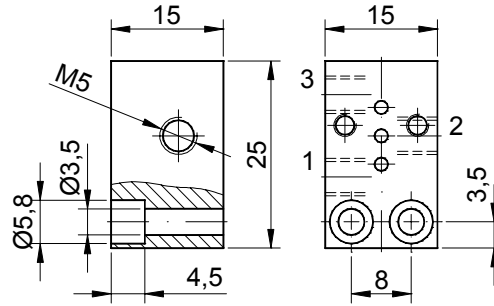
CODE	VOLTAGE	FREQUENCY	POWER ①
75BD	24	50-60 Hz	5.3 W
75CD	48	50-60 Hz	5.3 W
75DD	110	50-60 Hz	5.2 W
75ED	230	50-60 Hz	5.2 W
751D	24 DC	---	5.4 W

T5 and T6 temperature class version available on request

① Considering nominal voltage and an ambient temperature of 20°C

SINGLE BASE

Code:
B01/340/M5



MULTIPLE BASES

Code:
B...../340/M5

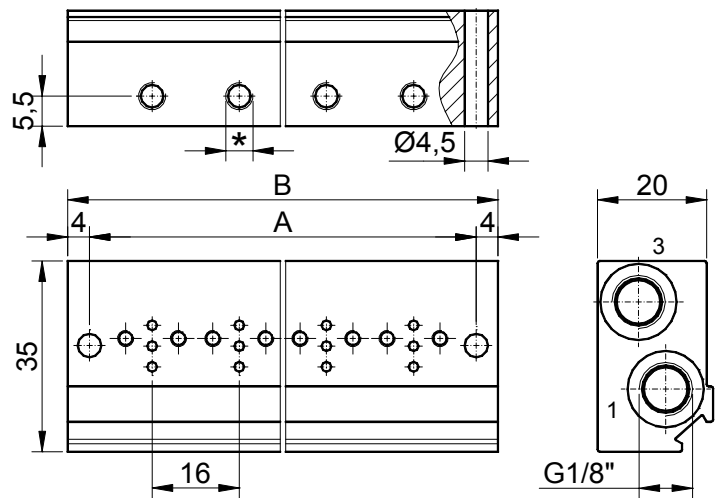
N° PLACES

B...../340/R4

N° PLACES

* = M5 Thread

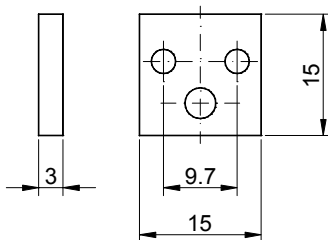
* = quick connection
for pipes $\varnothing_{ext} 4$



N° PLACES	2	3	4	5	6	7	8	9	10
A	39	55	71	87	103	119	135	151	167
B	47	63	79	95	111	127	143	159	175

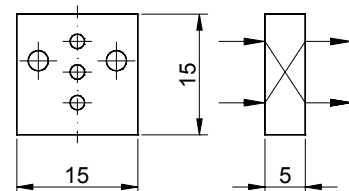
BLANKING PLATE

Code:
PC/340



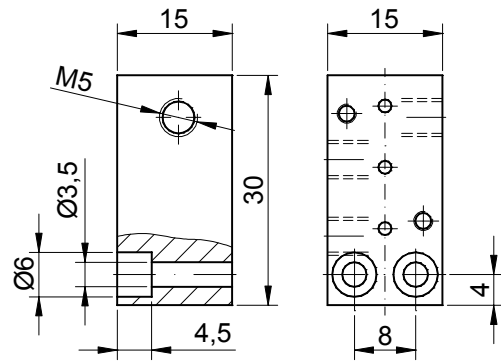
REVERSING PLATE FOR N.O. (341)

Code:
PA/340



SINGLE BASE

Code:
B01/345/M5



MULTIPLE BASES

Code:
B...../345/M5

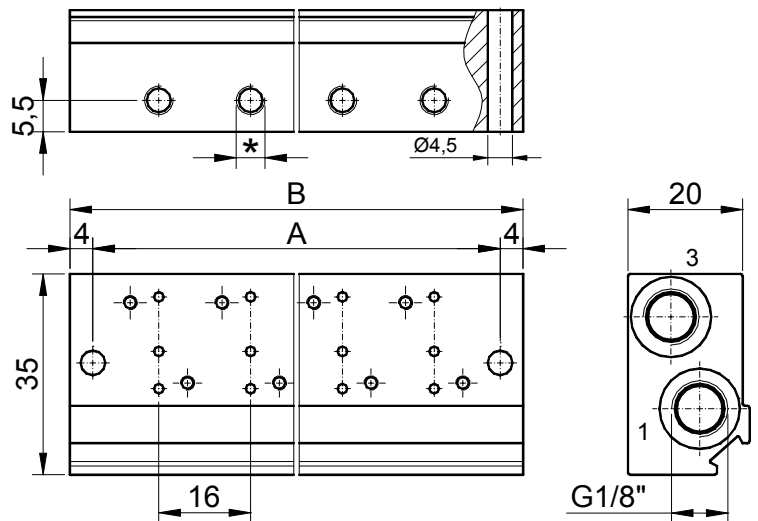
N° PLACES

B...../345/R4

N° PLACES

* = M5 Thread

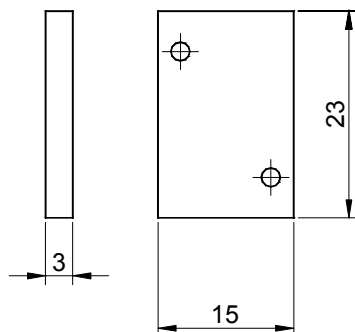
* = quick connection
for pipes Øext 4



N° PLACES	2	3	4	5	6	7	8	9	10
A	39	55	71	87	103	119	135	151	167
B	47	63	79	95	111	127	143	159	175

BLANKING PLATE

Code:
PC/345



Connector code 103490...

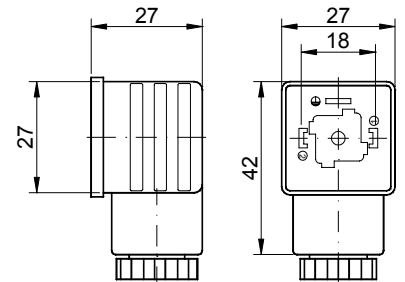
DIN 43650 Form A connector

Contacts distance : 18 mm
 Protection class : IP 65
 Working temperature : -40°C +90°C
 Fixing method : M3 central screw
 Gland size : PG9 cable Ø 6-8mm
 code 10349000 (n°2 poles+earth)

PG11 cable Ø 8-10mm
 code 10349001 (n°2 poles+earth)

On request : PG9 cable Ø 6-8mm
 code 10349060 (n°3 poles+earth)

Weight 0.023Kg



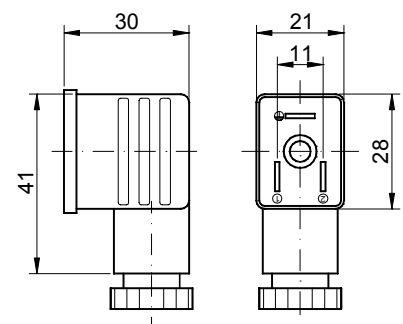
Connector code 10348000

DIN 46244 Form B (43650 B) connector

Contacts distance : 11 mm
 Protection class : IP 65
 Working temperature : -40°C +90°C
 Fixing method : M3 central screw
 Gland size : PG9 cable Ø 6-8mm

n°2 poles+earth

Weight 0.019Kg



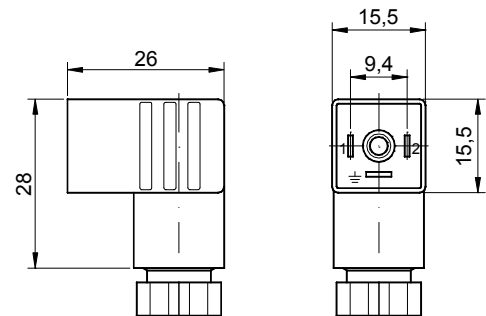
Connector code 10348040

AMP 2,8x0,5 connector

Contacts distance : 9,4 mm
Protection class : IP 65
Working temperature : -40°C +90°C
Fixing method : M3 central screw
Gland size : PG7 cable Ø 4-6mm

n°2 poles+earth

Weight 0.010Kg

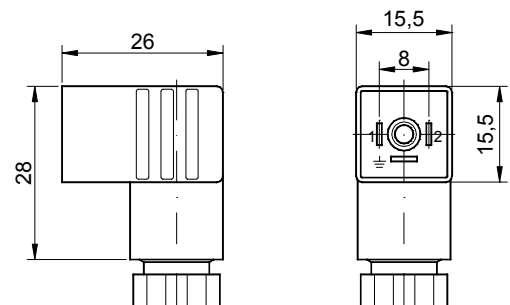
**Connector code 10348060**

DIN 43650 Form C connector

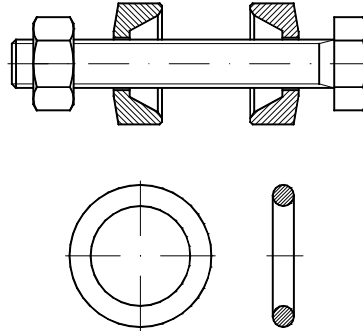
Contacts distance : 8 mm
Protection class : IP 65
Working temperature : -40°C +90°C
Fixing method : M2,5 central screw
Gland size : PG7 cable Ø 4-6mm

n°2 poles+earth

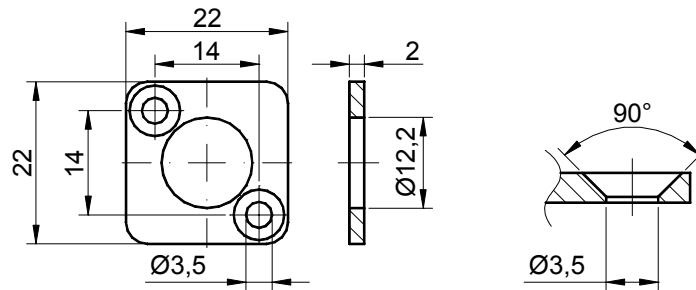
Weight 0.010Kg



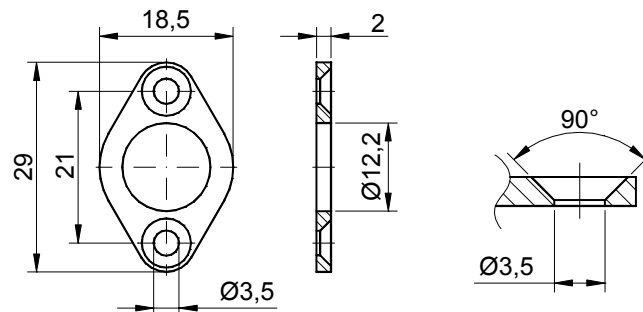
Fixing kit for solenoid valves series 350-351 Code 11255000



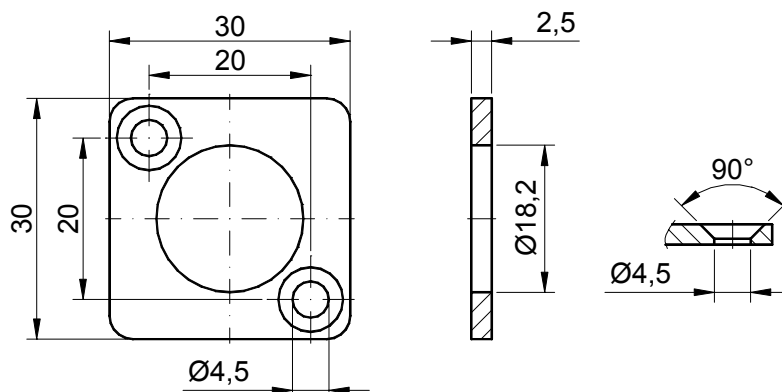
Fixing flange for pilots series 570-580 Code 11092000



Fixing flange for pilots series 570-580 Code 10984000



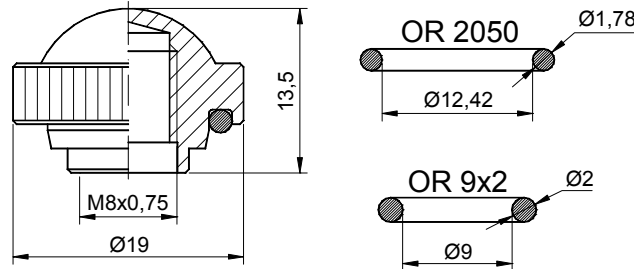
Fixing flange for pilots series 670-680 Code 11260000



Wet-proof coil fixing nut

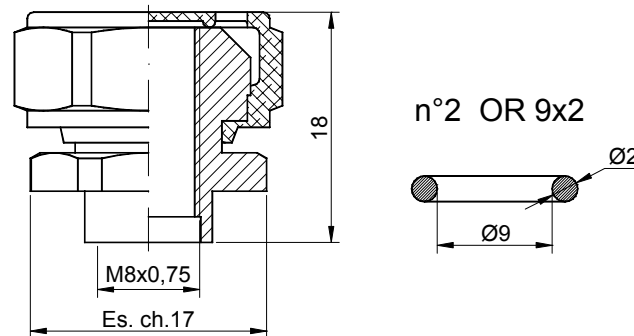
For coil series 3 and 4 (solenoid valves 2/2NC)

Code 11003000



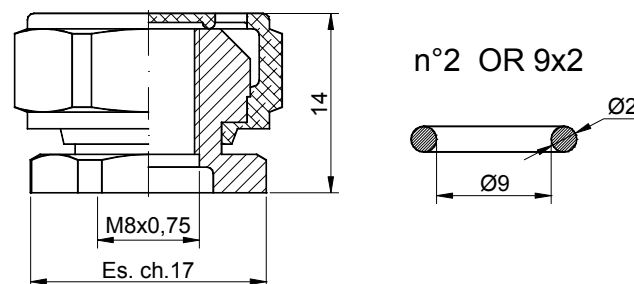
For coil series 3 and 4 (solenoid valves 3/2NC)

Code 11586N00



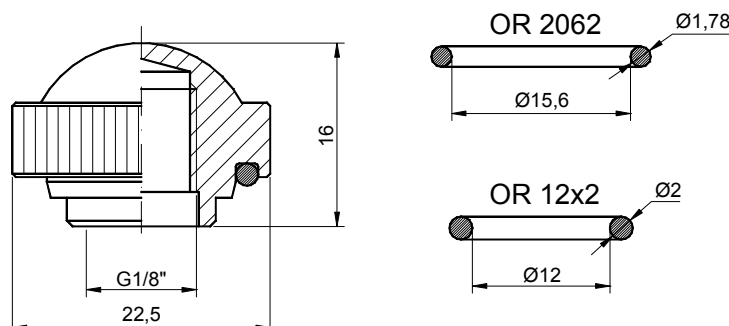
For coil series 3 and 4 (solenoid valves 3/2NO)

Code 11587N00



For coil series 2 and 5 (solenoid valves 2/2NC)

Code 11002000



Repeat cycle timer for solenoid valve

Code 11303000 (output DIN 43650 A)
Code 11304000 (output DIN 46244)



FEATURES :

Electrical connection in/out : DIN 43650 A / DIN 43650 A
 DIN 43650 A / DIN 46244

Time scales : Time ON 0,5-10 sec
 Time OFF 0,5-45 min

(other time scales available on request)

Reset/Test by manual touch switch

ON and OFF LED indicators

Operating temperature : -10°C +50°C

ELECTRICAL CONNECTION :

Supply voltage : 24-240V AC/DC 50/60Hz

Switch capacity : 1 A

Inrush current : 10 A for 10 msec

Current consumption : 4 mA

Protection class : IP65

FILTER BALL VALVE**Code 11322000 1/2"-1/2"****Code 11322010 1/2"-3/8"****CONSTRUCTION**

Body	Brass chromium plated
Actuator	Nylon 6.6
Filter	Stainless steel
O-ring	NBR

FEATURES

Connections 1/2"-1/2" and 1/2"-3/8"

Maximum working temperature : Water +70°C
Air +90°C



DESCRIPTION

Multiple electrical connection unit with LED indicators and safety circuit.
 The unit can be equipped with solenoid valves series 340, 3/2NC and 3/2NO.
 The solenoid valves can be assembled and tested on unit from 4 to 14 places.
 The base has mutual inlets and mutual exhaust.
 The user ports have quick connection for pipes \varnothing_{ext} 4mm.
 The energizing and de-energizing of the solenoid valves is showed by a LED indicator.

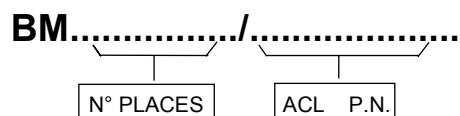
FEATURES

Media : Clean compressed air 20 μ m with or without lubricant
 Fixing method : M4 screws
 Pneumatic connections : G1/8" for inlet and exhaust,
 user ports by \varnothing 4 quick connections

Working pressure : 3/2NC 0,5÷10 bar
 3/2NA 0,5÷8 bar

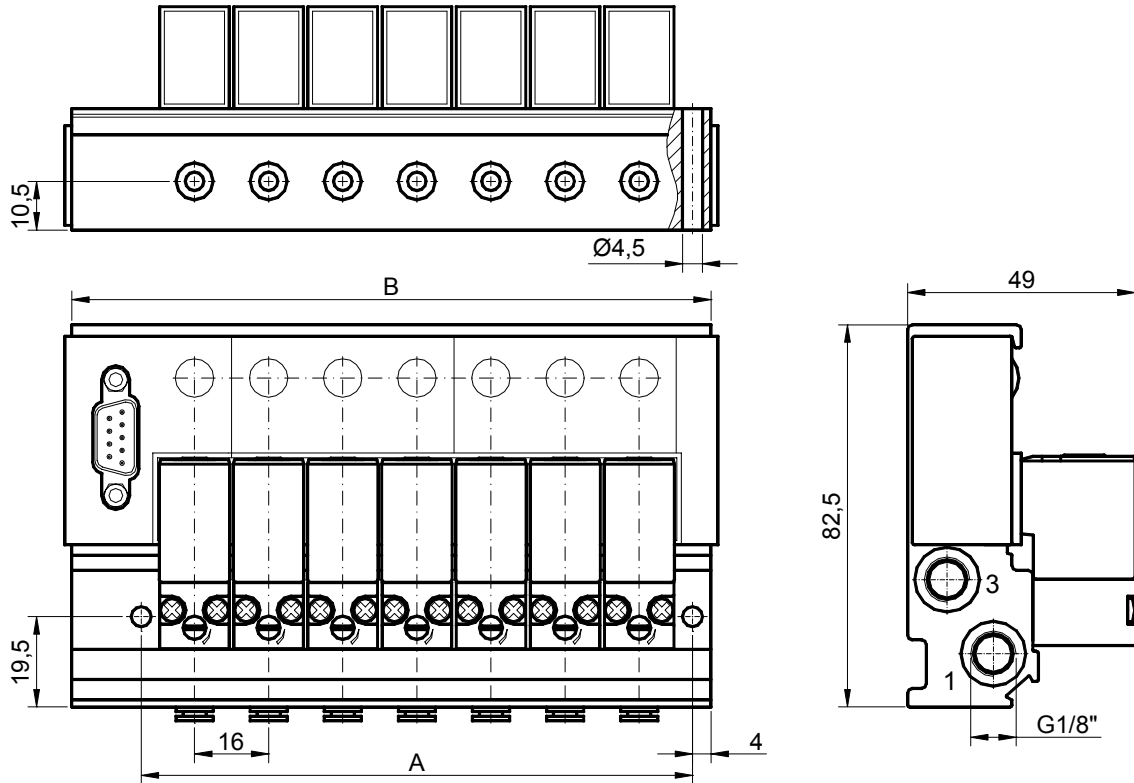
Ambient temperature : -10°C +50°C
 Protection class : IP50
 Electrical connection : 9 poles SUB-D connector for units from 4 to 8 positions
 15 poles SUB-D connector for units from 9 to 14 positions

CODE:



NOTE: This product isn't standard. Please contact the manufacturer for any question

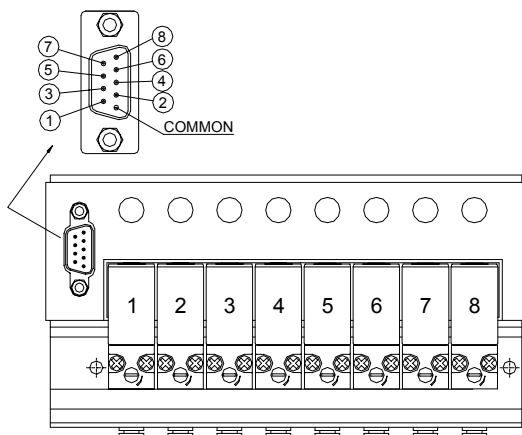
OVERALL DIMENSIONS



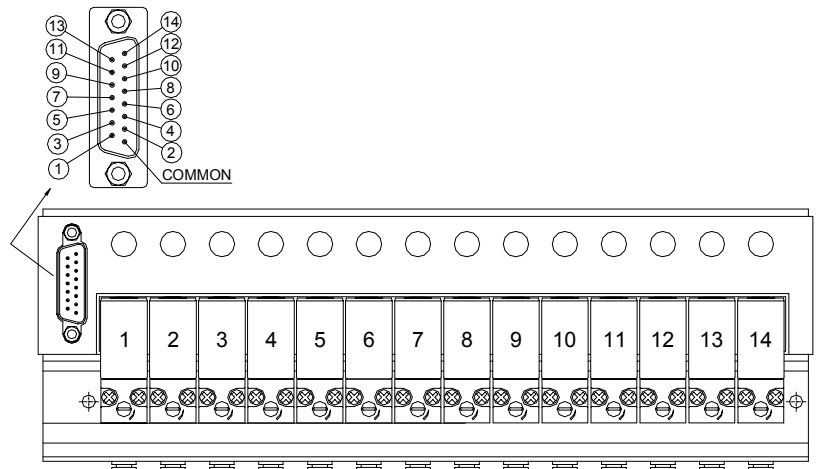
N° PLACES	4	5	6	7	8	9	10	11	12	13	14
A	71	87	103	119	135	151	167	183	199	215	231
B	93	109	125	141	157	173	189	205	221	237	253

ELECTRICAL CONNECTION

4÷8 POSITIONS UNIT

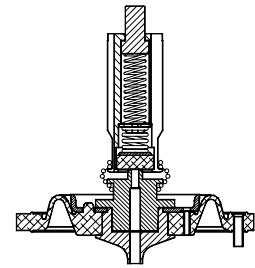


9 ÷ 14 POSITIONS UNIT

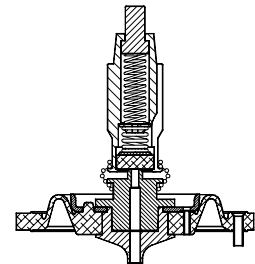


2/2 NC assisted lift diaphragm assembly

CODE	SEAL	VALVE SERIES
13428010	NBR	E108C E108D
13428040	EPDM	
13428020	FPM	
13429010	NBR	E108E
13429040	EPDM	
13429020	FPM	
13430010	NBR	E108F
13430040	EPDM	
13430020	FPM	

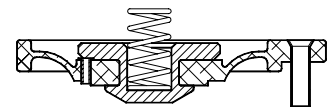


CODE	SEAL	VALVE SERIES
13431010	NBR	D108E
13431040	EPDM	
13431020	FPM	
13432010	NBR	D108F
13432040	EPDM	
13432020	FPM	

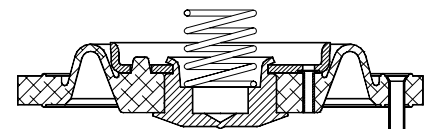


2/2 NC and NO servo-assisted diaphragm assembly

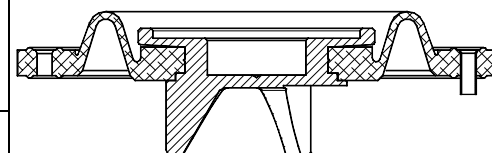
CODE	SEAL	VALVE SERIES
11030010	NBR	107B...10
11030040	EPDM	107C...10
11030020	FPM	207B...10 207C...10



13386010	NBR	107C...12
13386040	EPDM	107D...12
13386020	FPM	207C...12 207D...12
13395010	NBR	107E 207E
13395040	EPDM	
13395020	FPM	
13402010	NBR	107F 207F
13402040	EPDM	
13402020	FPM	

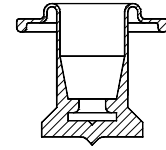


11266010	NBR	107G 107H 207G 207H
11266040	EPDM	
11266020	FPM	
11267010	NBR	107I 207I
11267040	EPDM	
11267020	FPM	
12669010	NBR	107M 107R 207M 207R

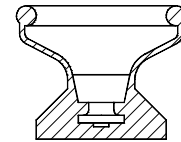


2/2 NC with dry armature diaphragm

CODE	SEAL	VALVE SERIES
10402030	SILICONE	150

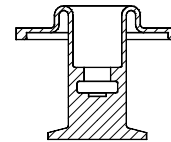


CODE	SEAL	VALVE SERIES
11315030	SILICONE	160 161



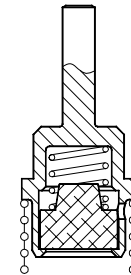
Diverting valve with dry armature diaphragm

CODE	SEAL	VALVE SERIES
10644010	NBR	330



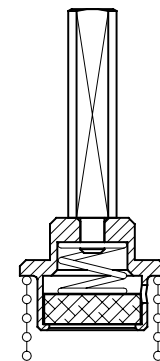
2/2 NO seal assembly for tube Ø10

CODE		SEAL	VALVE SERIES	
BRASS	S.STEEL		BRASS	S.STEEL
11166010	12104010	NBR EPDM FPM	205A	277C 277D 277E 277F
11166040	12104040		207C	
11166020	12104020		207D	
			207E	
			207F	
			212X	
		216X		
		218C		
		218D		



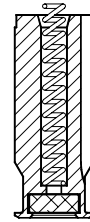
2/2 NO seal assembly for tube Ø13

CODE		SEAL	VALVE SERIES	
BRASS	S. STEEL		BRASS	S. STEEL
11167010 11167040 11167020	12916010 12916040 12916020	NBR EPDM FPM	206...15	210...15
			206...20	210...20
			206...25	210...25
			207G	
			207H	
			207I	
			207M	
			207R	
			214X...15	
			214X...20	
214X...25				
219C...				
219D...				
11176010	12003010	NBR	E206...35	E210...35
11176040	12003040	EPDM	E206...45	E210...45
11176020	12003020	FPM	E206...52	E210...52
12430010	13130010	NBR	206...64	210...64
12430040	13130040	EPDM		
12430020	13130020	FPM		



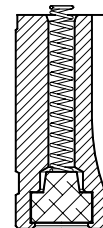
2/2 NC Ø6.35 plunger

CODE	SEAL	VALVE SERIES
1046301A	NBR	121
1046304A	EPDM	
1046302A	FPM	



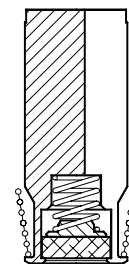
2/2 NC Ø9 plunger

CODE	SEAL	VALVE SERIES
11799010	NBR	105
11799040	EPDM	135
11799020	FPM	107C
11799090	NBR DVGW	107D
11799340	EPDM WRC	107E
		107F
*11800010	NBR	111
*11800040	EPDM	112
*11800020	FPM	116
*11800090	NBR DVGW	118
*11800340	EPDM WRC	510
		512
		*105/135 (Ø4 only)



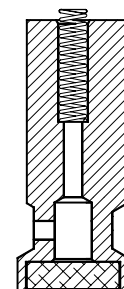
2/2 NC Ø11.85 plunger (up to orifice Ø5.2)

CODE	SEAL	VALVE SERIES
10120010 10120040 10120020 10120050	NBR EPDM FPM PTFE	106A
		106B
		107G
		107H
		107I
		114X
		119C
		119D
610		
10120N10	NBR	110B
10120N40	EPDM	110C
10120N20	FPM	110D



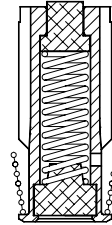
2/2 NC Ø11.85 plunger (orifice Ø6.4)

CODE	SEAL	VALVE SERIES
11035010	NBR	106B
11035040	EPDM	106C
11035020	FPM	106D
12004050	PTFE	110B
11035140	HEPDM	110C
		110D



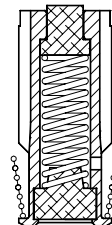
3/2 NC Ø9 plunger

CODE	SEAL	VALVE SERIES
10492010	NBR	305A DN1,2
10492040	EPDM	311A DN1,2
10492020	FPM	312X DN1,2
10519010	NBR	218B
10519040	EPDM	305A
10519020	FPM	335
		311A
		312X
		316X
		530
		532



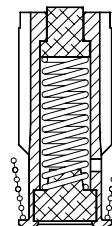
3/2 NO Ø9 plunger (inlet from the core)

CODE	SEAL	VALVE SERIES
11289010	NBR	305A
11289040	EPDM	311A
11289020	FPM	312X



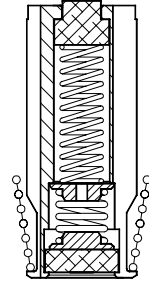
3/2 Ø9 plunger Universal Service (NC and NO)

CODE	SEAL	VALVE SERIES
11291010	NBR	305A
11291040	EPDM	311A
11291020	FPM	312X
		316X



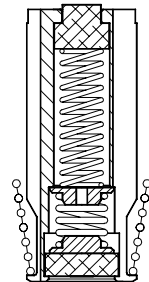
3/2 NC Ø11.85 plunger

CODE	SEAL	VALVE SERIES
10966010	NBR	203A
10966040	EPDM	306A
10966020	FPM	306B
		314X
		630
10966N10	NBR	310B
10966N40	EPDM	310C
10966N20	FPM	310D



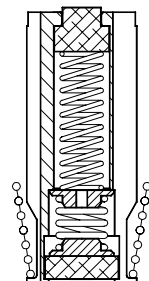
3/2 NO Ø11.85 plunger (inlet from the core)

CODE	SEAL	VALVE SERIES
11045010	NBR	306A
11045040	EPDM	306B
11045020	FPM	314X
11045N10	NBR	310B
11045N40	EPDM	310C
11045N20	FPM	310D



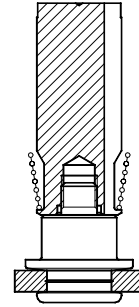
3/2 Ø11.85 plunger Universal Service (NC and NO)

CODE	SEAL	VALVE SERIES
11044010	NBR	306A
11044040	EPDM	306B
11044020	FPM	314X
11044N10	NBR	310B
11044N40	EPDM	310C
11044N20	FPM	310D



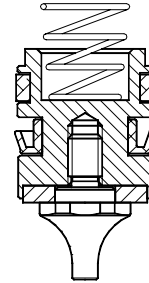
2/2 NC Ø11.85 plunger

CODE	SEAL	VALVE SERIES
10343010	NBR	109C 109D
10343040	EPDM	
10343020	FPM	
10344010	NBR	109E
10344040	EPDM	
10344020	FPM	



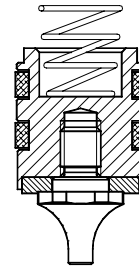
2/2 NC and NO piston assembly

CODE	SEAL	VALVE SERIES
12735000	FPM / PTFE	118C
		118D
		119C
		119D
		218C
		218D
		219C 219D



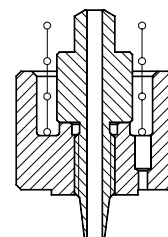
2/2 NC for steam up to 180°C piston assembly

CODE	SEAL	VALVE SERIES
11910000	PTFE	119W



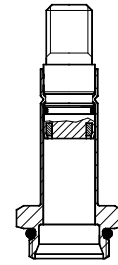
2/2 NC series 118-119 G1/4" piston assembly

CODE	SEAL	VALVE SERIES
11909000	PTFE	118B 119B



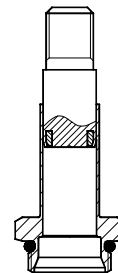
2/2 NC Ø10 brass armature tube for AC and DC

CODE	SEAL	VALVE SERIES
10128010	NBR	E105A
10128040	EPDM	E112X
10128020	FPM	E116X



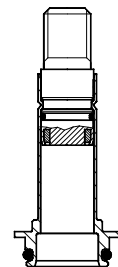
2/2 NC Ø10 stainless steel armature tube for AC and DC

CODE	SEAL	VALVE SERIES
10128SI10 10128SI40 10128SI20	NBR EPDM FPM	E107C - E177C
		E107D - E177D
		E107E - E177E
		E107F - E177F
		E111A E118C E118D



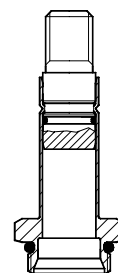
2/2 NC Ø10 electroless nickel-plated brass armature tube for AC and DC, flange fixing

CODE	SEAL	VALVE SERIES
11762K10	NBR DVGW	E135
11762K40	EPDM WRC	
11762K20	FPM	



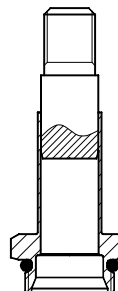
2/2 NC Ø10 brass armature tube for DC

CODE	SEAL	VALVE SERIES
10219010	NBR	D105A
10219040	EPDM	D112X
10219020	FPM	D116X



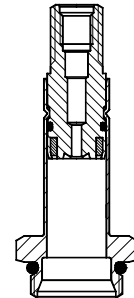
2/2 NC Ø10 stainless steel armature tube for DC

CODE	SEAL	VALVE SERIES
10219SI10 10219SI40 10219SI20	NBR EPDM FPM	D107C - D177C
		D107D - D177D
		D107E - D177E
		D107F - D177F
		D111A D118C D118D



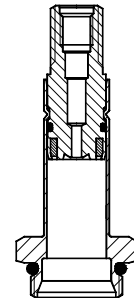
3/2 NC Ø10 brass armature tube for AC and DC
Hole Ø1

CODE	SEAL	VALVE SERIES
10340210	NBR	E305A
10340240	EPDM	E312X
10340220	FPM	E316X



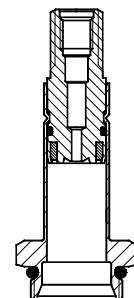
3/2 NC Ø10 brass armature tube for AC and DC
Hole Ø1.5

CODE	SEAL	VALVE SERIES
10340010	NBR	E305A
10340040	EPDM	E312X
10340020	FPM	E316X



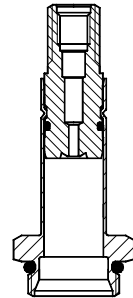
3/2 NC Ø10 brass armature tube for AC and DC
Hole Ø1.7

CODE	SEAL	VALVE SERIES
10340110	NBR	E305A
10340140	EPDM	E312X
10340120	FPM	E316X



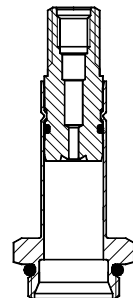
3/2 NC Ø10 brass armature tube for DC
Hole Ø1

CODE	SEAL	VALVE SERIES
10341210	NBR	D305A
10341240	EPDM	D312X
10341220	FPM	D316X



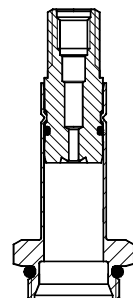
3/2 NC Ø10 brass armature tube for DC
Hole Ø1.5

CODE	SEAL	VALVE SERIES
10341010	NBR	D305A
10341040	EPDM	D312X
10341020	FPM	D316X



3/2 NC Ø10 brass armature tube for DC
Hole Ø1.7

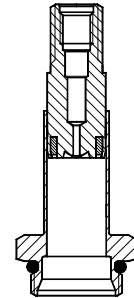
CODE	SEAL	VALVE SERIES
10341110	NBR	D305A
10341140	EPDM	D312X
10341120	FPM	D316X



3/2 NC Ø10 stainless steel armature tube for AC and DC Hole Ø1

CODE	SEAL	VALVE SERIES
10340SI210	NBR	E305A
10340SI240	EPDM	E311A *
10340SI220	FPM	E312X
		E316X

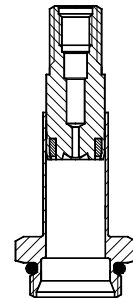
* For silver shading ring versions contact the manufacturer



3/2 NC Ø10 stainless steel armature tube for AC and DC Hole Ø1.5

CODE	SEAL	VALVE SERIES
10340SI010	NBR	E305A
10340SI040	EPDM	E311A *
10340SI020	FPM	E312X
		E316X

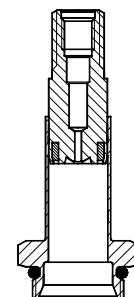
* For silver shading ring versions contact the manufacturer



3/2 NC Ø10 stainless steel armature tube for AC and DC Hole Ø1.7

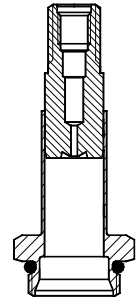
CODE	SEAL	VALVE SERIES
10340SI110	NBR	E305A
10340SI140	EPDM	E311A *
10340SI120	FPM	E312X
		E316X

* For silver shading ring versions contact the manufacturer



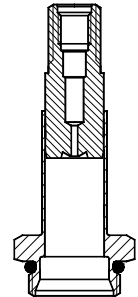
**3/2 NC Ø10 stainless steel armature tube for DC
Hole Ø1**

CODE	SEAL	VALVE SERIES
10341SI210	NBR	D305A
10341SI240	EPDM	D311A
10341SI220	FPM	D312X
		D316X



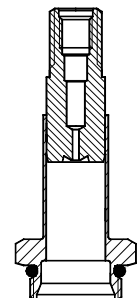
**3/2 NC Ø10 stainless steel armature tube for DC
Hole Ø1.5**

CODE	SEAL	VALVE SERIES
10341SI10	NBR	D305A
10341SI140	EPDM	D311A
10341SI20	FPM	D312X
		D316X



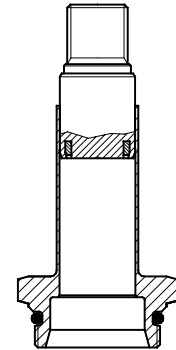
**3/2 NC Ø10 stainless steel armature tube for DC
Hole Ø1.7**

CODE	SEAL	VALVE SERIES
10341SI110	NBR	D305A
10341SI140	EPDM	D311A
10341SI120	FPM	D312X
		D316X



2/2 NC Ø13 stainless steel armature tube for AC and DC

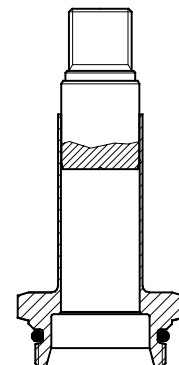
CODE	SEAL	VALVE SERIES
12456010	NBR	E106A
12456040	EPDM	E106B
12456020	FPM	E107G
		E107H
		E107I
		E107M
		E107R
		E108
		E109
		E110 *
		E114
		E119
		E320



* For silver shading ring versions contact the manufacturer

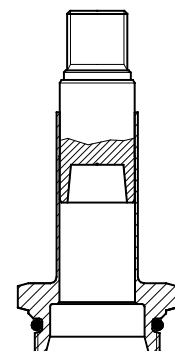
2/2 NC Ø13 stainless steel armature tube for DC

CODE	SEAL	VALVE SERIES
12457010	NBR	D106A
12457040	EPDM	D106B
12457020	FPM	D107G
		D107H
		D107I
		D107M
		D107R
		D108C
		D108D
		D109
		D110
		D114
		D119
		D320



2/2 NC Ø13 stainless steel armature tube for 108 G3/4" and G1" DC

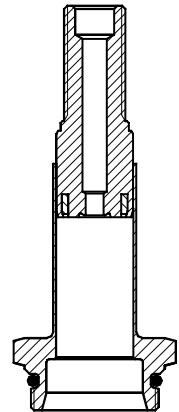
CODE	SEAL	VALVE SERIES
12465010	NBR	D108E
12465040	EPDM	D108F
12465020	FPM	



3/2 NC Ø13 stainless steel armature tube for AC and DC Hole Ø2

CODE	SEAL	VALVE SERIES
12464110	NBR	E306A
12464140	EPDM	E306B
12464120	FPM	E310 *
		E314X

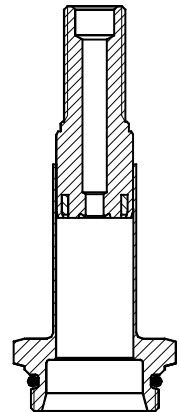
* For silver shading ring versions contact the manufacturer



3/2 NC Ø13 stainless steel armature tube for AC and DC Hole Ø2.4

CODE	SEAL	VALVE SERIES
12464010	NBR	E306A
12464040	EPDM	E306B
12464020	FPM	E310 *
		E314X

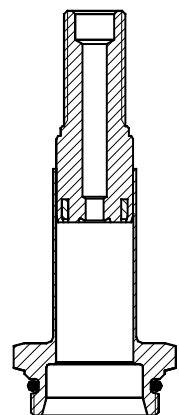
* For silver shading ring versions contact the manufacturer



3/2 NC Ø13 stainless steel armature tube for AC and DC Hole Ø2.8

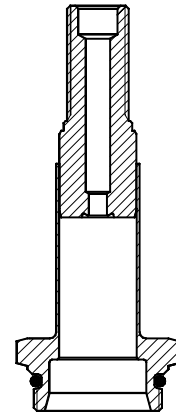
CODE	SEAL	VALVE SERIES
12464210	NBR	E306A
12464240	EPDM	E306B
12464220	FPM	E310 *
		E314X

* For silver shading ring versions contact the manufacturer



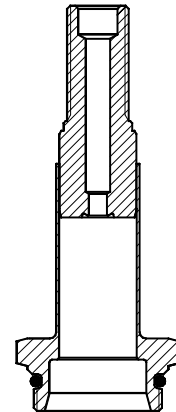
3/2 NC Ø13 stainless steel armature tube for DC
Hole Ø2

CODE	SEAL	VALVE SERIES
12462110	NBR	D306A
12462140	EPDM	D306B
12462120	FPM	D310
		D314X



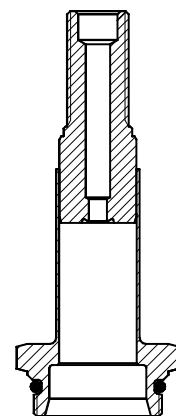
3/2 NC Ø13 stainless steel armature tube for DC
Hole Ø2.4

CODE	SEAL	VALVE SERIES
12462010	NBR	D306A
12462040	EPDM	D306B
12462020	FPM	D310
		D314X



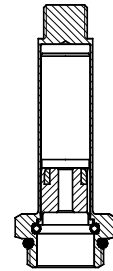
3/2 NC Ø13 stainless steel armature tube for DC
Hole Ø2.8

CODE	SEAL	VALVE SERIES
12462210	NBR	D306A
12462240	EPDM	D306B
12462220	FPM	D310
		D314X



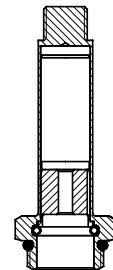
2/2 NO Ø10 brass armature tube for AC and DC

CODE	SEAL	VALVE SERIES
11170010	NBR	E205A
11170040	EPDM	E212X
11170020	FPM	E216X
		E218C
		E218D



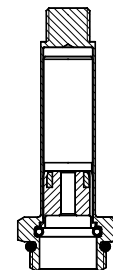
2/2 NO Ø10 brass armature tube for DC

CODE	SEAL	VALVE SERIES
11171010	NBR	D205A
11171040	EPDM	D212X
11171020	FPM	D216X
		D218C
		D218D



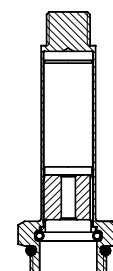
2/2 NO Ø10 stainless steel armature tube for AC and DC

CODE	SEAL	VALVE SERIES
11170Si10	NBR	E205A
11170Si40	EPDM	E207C - E277C
11170Si20	FPM	E207D - E277D
		E207E - E277E
		E207F - E277F
		E212X
		E216X
		E218C
		E218D



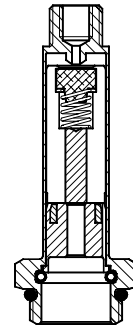
2/2 NO Ø10 stainless steel armature tube for DC

CODE	SEAL	VALVE SERIES
11171Si10	NBR	D205A
11171Si40	EPDM	D207C - D277C
11171Si20	FPM	D207D - D277D
		D207E - D277E
		D207F - D277F
		D212X
		D216X
		D218C
		D218D



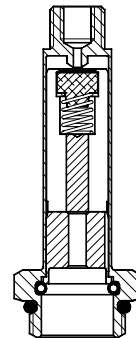
3/2 NO Ø10 brass armature tube for AC and DC

CODE	SEAL	VALVE SERIES
11174010	NBR	E307A
11174040	EPDM	E312X
11174020	FPM	E317X



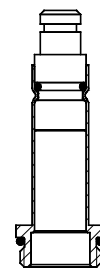
3/2 NO Ø10 brass armature tube for DC

CODE	SEAL	VALVE SERIES
11175010	NBR	D307A
11175040	EPDM	D312X
11175020	FPM	D317X



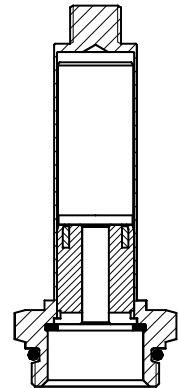
2/2 NC Ø7 brass armature tube for DC

CODE	SEAL	VALVE SERIES
10448010	NBR	D121L
10448040	EPDM	
10448020	FPM	



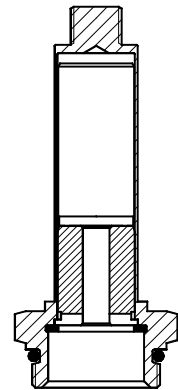
2/2 NO Ø13 brass armature tube for AC and DC

CODE	SEAL	VALVE SERIES
11172010 11172040 11172020	NBR EPDM FPM	E206A
		E206B
		E214X
		E207G
		E207H
		E207I
		E207M
		E207R
		E219C
		E219D



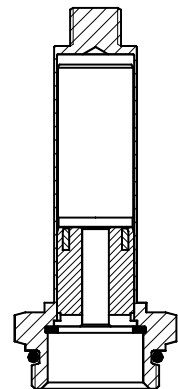
2/2 NO Ø13 brass armature tube for DC

CODE	SEAL	VALVE SERIES
11173010 11173040 11173020	NBR EPDM FPM	D206A
		D206B
		D214X
		D207G
		D207H
		D207I
		D207M
		D207R
		D219C
		D219D



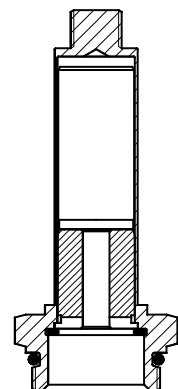
2/2 NO Ø13 stainless steel armature tube for AC and DC

CODE	SEAL	VALVE SERIES
11172SI10 11172SI40 11172SI20	NBR EPDM FPM	E206A
		E206B
		E210
		E214X
		E207G
		E207H
		E207I
		E207M
		E207R
		E219C
		E219D



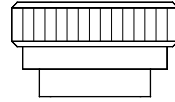
2/2 NO Ø13 stainless steel armature tube DC

CODE	SEAL	VALVE SERIES
11173SI10 11173SI40 11173SI20	NBR EPDM FPM	D206A
		D206B
		D210
		D214X
		D207G
		D207H
		D207I
		D207M
		D207R
		D219C
		D219D

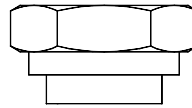


COIL FIXING NUT

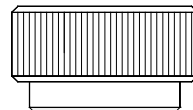
Code 10203000
Coil fixing nut for series 3 and series 4
2/2NC and 3/2NC solenoid valves
with brass tube



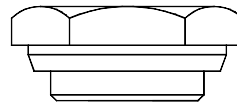
Code 11643K0A
Coil fixing nut for series 3 and series 4
2/2NC and 3/2NC solenoid valves
with stainless steel tube



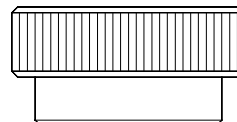
Code 1012600B
Coil fixing nut for series 3 and series 4
2/2NO and 3/2NO solenoid valves



Code 10097000
Coil fixing nut for series 2 and series 5
2/2NC and 3/2NC solenoid valves



Code 10293000
Coil fixing nut for series 2 and series 5
2/2NO solenoid valves



Code 10464000
Coil fixing nut for series 6



