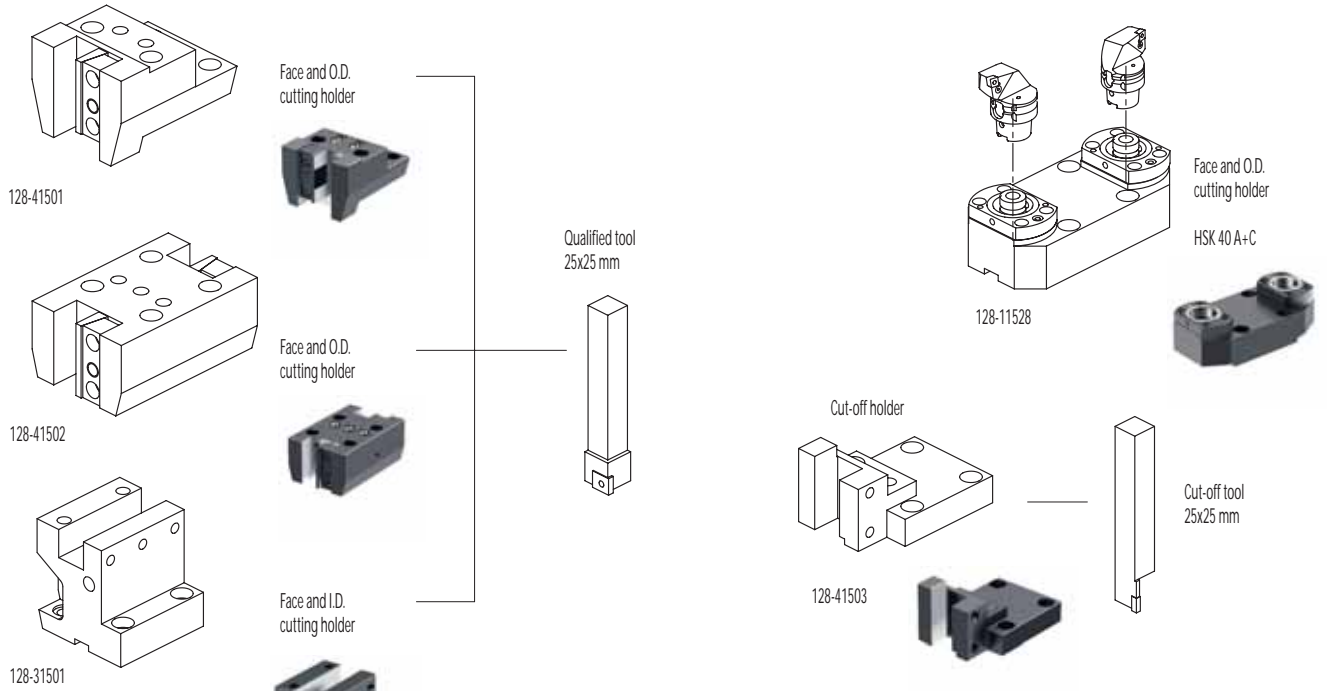


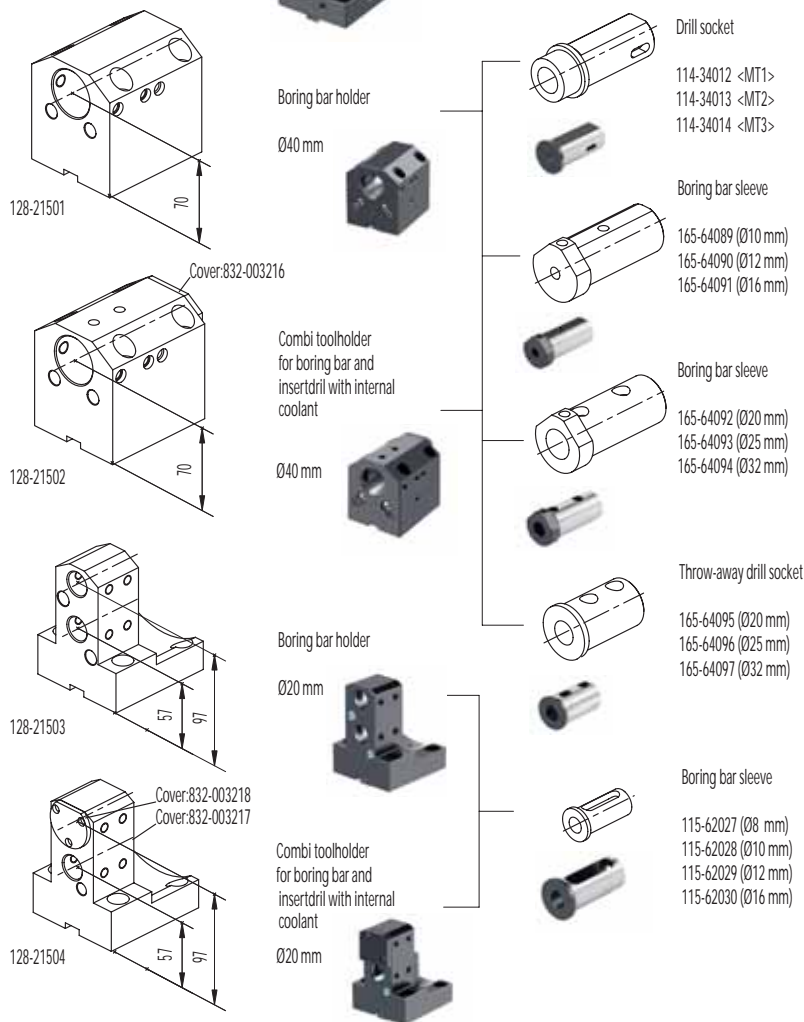
The background of the page is composed of several vertical stripes of varying widths and colors, including shades of blue, green, yellow, orange, and red. These stripes are arranged in a way that they appear to be layered or overlapping, creating a sense of depth and movement. The central part of the page is a plain white space where the logo is located.

**KINTEK**

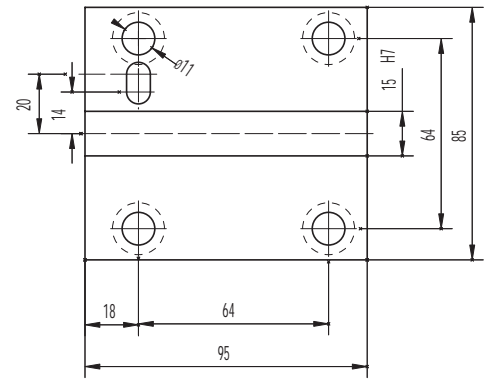
## DOOSAN PUMA 230M/MS - 240M/MS - 280LM



### ACCESSORIES



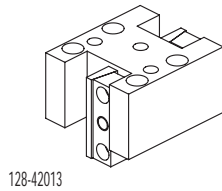
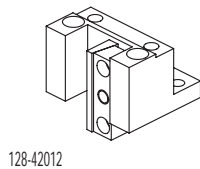
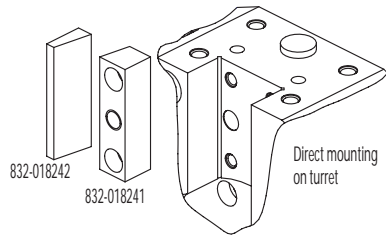
### CONNECTION



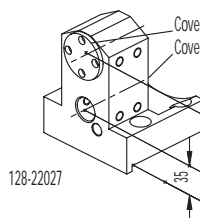
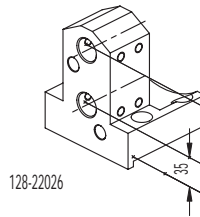
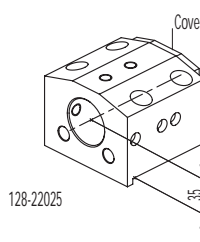
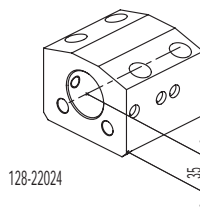
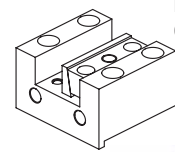


# DOOSAN PUMA

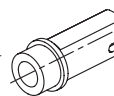
## 230S - 240S - LYNX210



Qualified tool  
25x25 mm



### ACCESSORIES



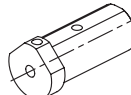
Drill socket

- 114-34012 <MT1>
- 114-34013 <MT2>
- 114-34014 <MT3>



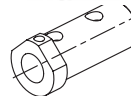
Boring bar sleeve

- 165-64089 (Ø10 mm)
- 165-64090 (Ø12 mm)
- 165-64091 (Ø16 mm)



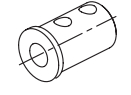
Boring bar sleeve

- 165-64092 (Ø20 mm)
- 165-64093 (Ø25 mm)
- 165-64094 (Ø32 mm)



Throw-away drill socket

- 165-64095 (Ø20 mm)
- 165-64096 (Ø25 mm)
- 165-64097 (Ø32 mm)

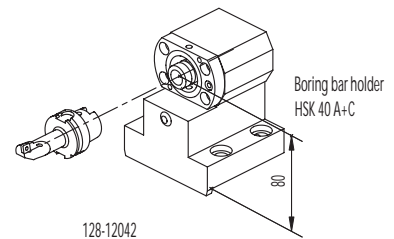
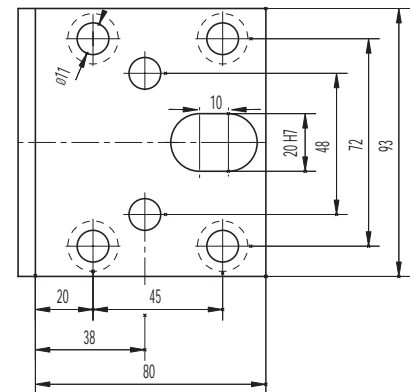


Boring bar sleeve

- 115-62027 (Ø8 mm)
- 115-62028 (Ø10 mm)
- 115-62029 (Ø12 mm)
- 115-62030 (Ø16 mm)



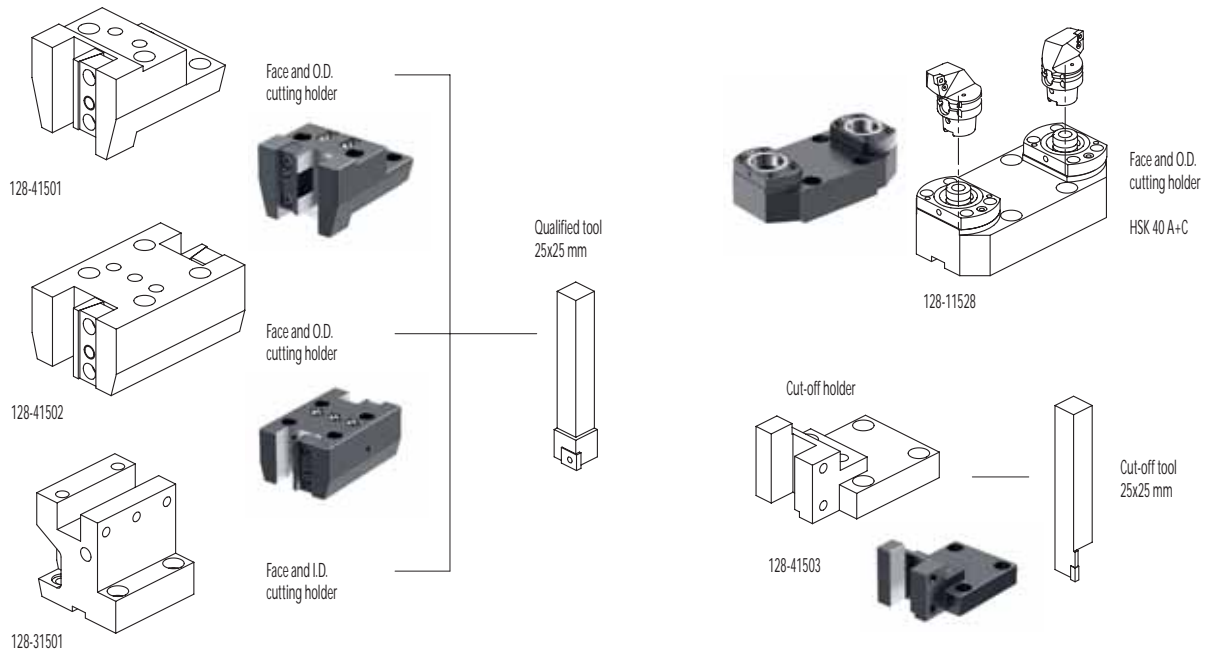
### CONNECTION



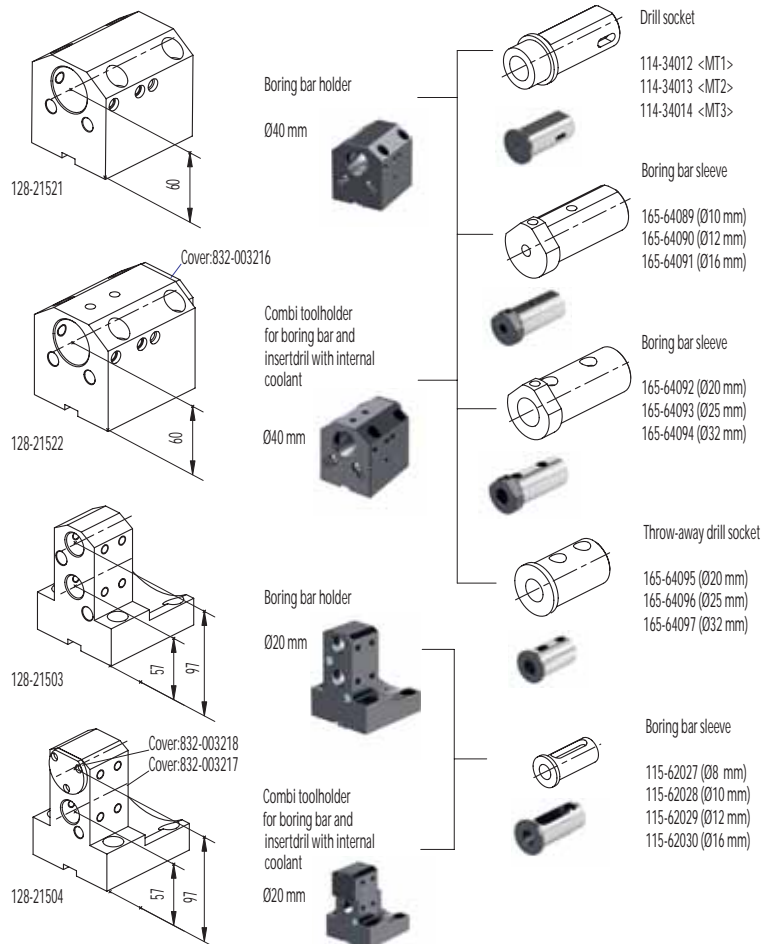


# DOOSAN PUMA

TT1500 SY - 2000 SY - 2500 SY  
300M/MS - V400M



## ACCESSORIES



## CONNECTION

