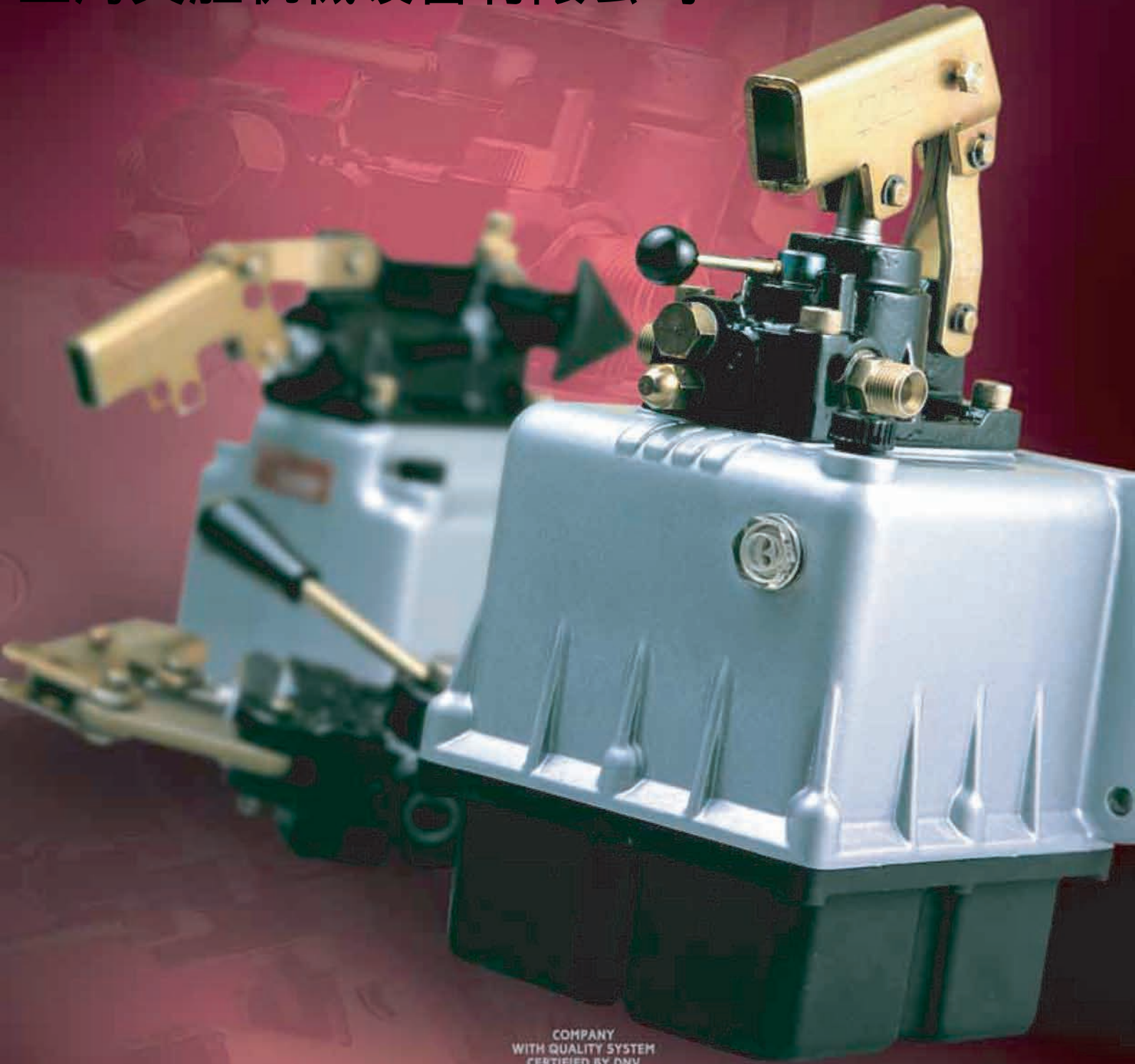


HAND PUMPS

液 压 手 动 泵

上海文胜机械设备有限公司



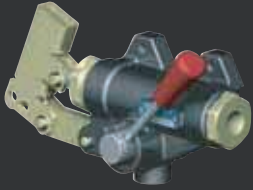
COMPANY
WITH QUALITY SYSTEM
CERTIFIED BY DNV
=ISO 9001/2000=

OMFB
HYDRAULIC COMPONENTS®

HAND PUMPS

液压手动泵

PM 01-06



PM 系列 / SERIES PM

双作用手动泵不带油箱，排量20-50-70cm³可选，内置截止阀可选。

HAND PUMPS WITHOUT TANK, 20-50-70cm³, WITH AND WITHOUT LET-DOWN VALVE.

PM



PMS 07-10



PMS 系列和 PMS+VS 系列 SERIES PMS and PMS+VS

双作用手动泵，排量12-25-45cm³可选，自带截止阀，安全阀，同时可选配油箱。

DOUBLE ACTING HAND PUMPS, 12-25-45cm³, WITH OR WITHOUT TANK, TO OPERATE SINGLE ACTING CYLINDERS. AVAILABLE WITH LET-DOWN VALVE AND SPRING RETURN.

PMS



PMI 11-14



PMI 系列和 PMI+VS 系列 SERIES PMI and PMI+VS

双作用手动泵，排量12-25-45cm³可选，自带换向阀，安全阀。同时可选配油箱。

DOUBLE ACTING HAND PUMPS, 12-25-45cm³, WITH OR WITHOUT TANK, TO OPERATE DOUBLE ACTING CYLINDERS. AVAILABLE WITH LET-DOWN VALVE.

PMI



PMSE 15-16



PMSE 系列 / SERIES PMSE

单作用手动泵，内置截止阀，排量12-25-45cm³可选，同时可选配油箱。

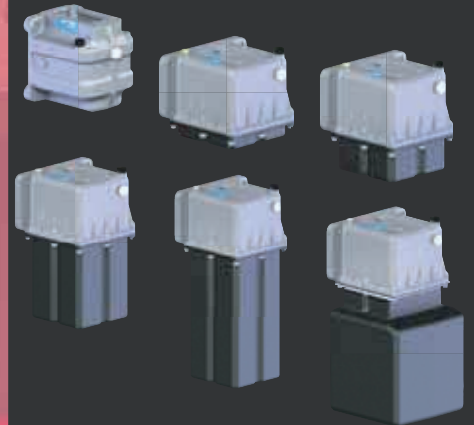
SINGLE ACTING HAND PUMPS, 10-15cm³, WITH OR WITHOUT TANK, TO OPERATE SINGLE ACTING CYLINDERS.

TANKS

油箱 / TANKS

铝质和塑料箱体，容量1-2-3-5-7-10L可选，特殊要求可定制。

ALUMINIUM AND ALUMINIUM/PLASTIC TANKS 1-2-3-5-7-10 LT, COMPLETE WITH OIL GLASS. SPECIAL CONFIGURATIONS AVAILABLE ON DEMAND.



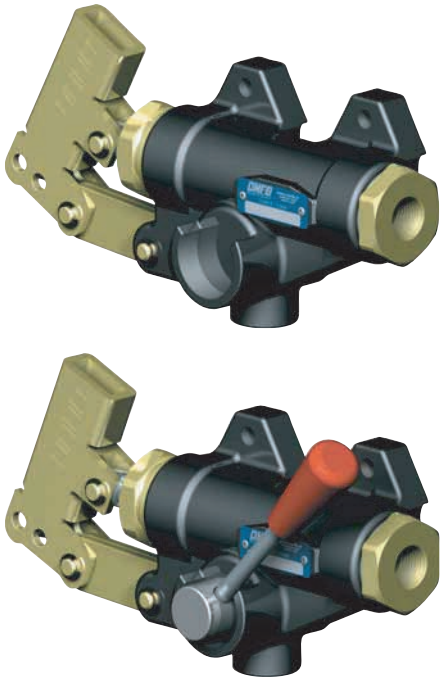
液压手动泵 (不带油箱) HAND PUMPS WITHOUT TANK

产品代码
FAMILY CODE

106

系列
SERIES

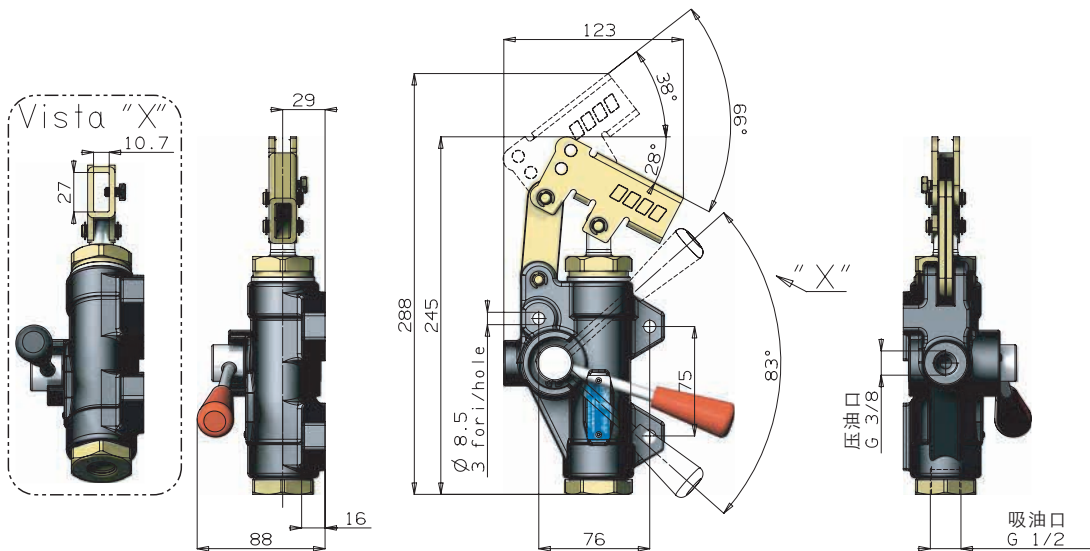
PM 20



PM 系列双作用手动泵泵体采用经磷化工工艺处理的铸铁材料，有自带和不带截止阀两种型式，可分别适用于应急装置和简单作用的场合。并有20-50cm³-70cm³三种不同排量供选择，分别对应PM20、PM50 和 PM70，同时可选配镀锌手柄。

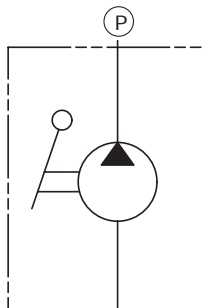
Hand pumps with double effect activation whether with drainage tap for simple effect installations or without tap for emergency installations. Available in three different capacities to allow several applications and to limit the effort on the lever in any situation. The body is in cast-iron with phosphate treatment and the stem is in nicked steel.

	定货代码 Order code
	PM 20
内置截止阀 with valve	106-001-00013
无截止阀 without valve	106-001-00040

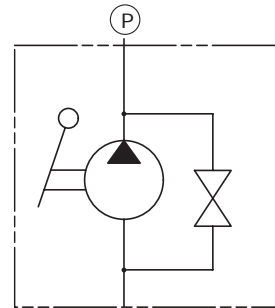


液压回路图 / Hydraulic layout

无截止阀 / WITHOUT VALVE



内置截止阀 / WITH VALVE



pag.1



上海文胜机械设备有限公司
电话：021-51873752; 021-64881088
传真：021-51873753; 021-61294715
邮件：sales@wenshengsh.com
网址：www.wenshengsh.com

本公司通过
ISO 9001/2000
质量体系认证

Codice foglio: 997-106-02010 Rev: AB

Codice fascicolo: 997-400-10610 Rev: AC

Data: Martedì 12 giugno 2007

技术参数 Technical data

型号 Pump type	最高压力 Max. Pressure bar	排量 Displacement			重量 Weight Kg
		Completa / Full cm ³ /ciclo	Tiro / Pull cm ³ /tiro	Spinta / Push cm ³ /spinta	
PM 20	300	20	10,8	9,2	3,4

密封圈 Seal kit	丁晴橡胶(NBR), 氟橡胶(FKM或FPM), 尼龙(Nylon) Mineral or synthetic compatible with the following seals: NBR, FKM, FPM, Nylon				
建议运动粘度 Kinematic viscosity suggested	T media ambiente (°C) Average ambient temp. (°C)	<-10	-10÷10	10÷35	>35
	VG (cSt = mm ² /s)	22	32	46	68
入口压力 Inlet pressure		-0,3 ÷ 2 bar			

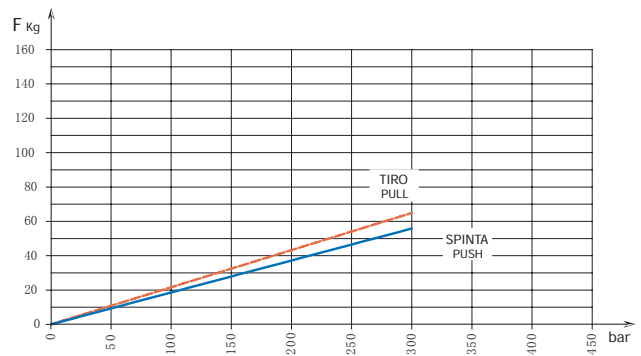
手柄 Lever

PM 20

106-000-00176

压力 — 手柄作用力图 Load while pumping with standard lever

PM 20



液压手动泵 (不带油箱) HAND PUMPS WITHOUT TANK

产品代码
FAMILY CODE

106

系列
SERIES

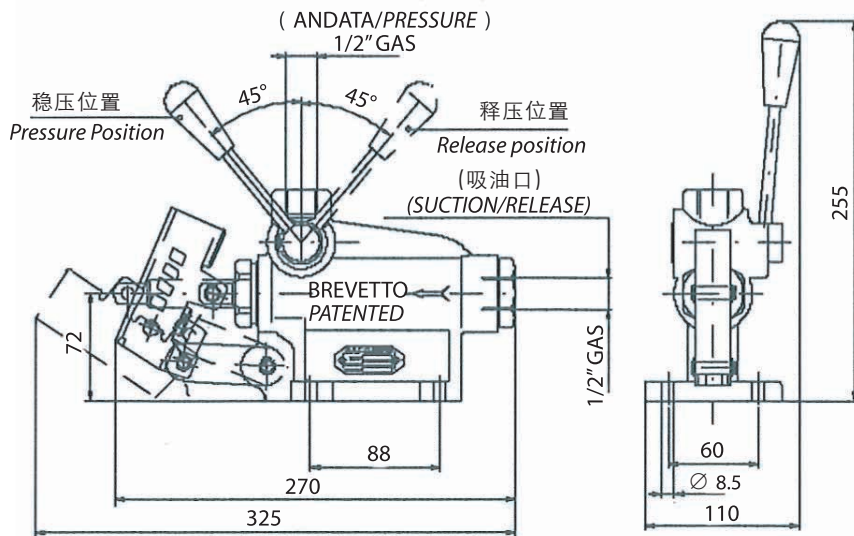
PM 50



PM 系列双作用手动泵泵体采用经磷化工艺处理的铸铁材料，有自带和不带截止阀两种型式，可分别适用于应急装置和简单作用的场合。并有20-50cm³-70cm³三种不同排量供选择，分别对应PM20、PM50 和 PM70，同时可选配镀锌手柄。

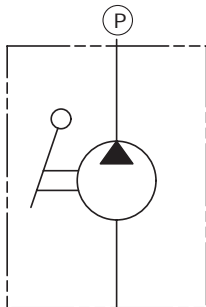
Hand pumps with double effect activation whether with drainage tap for simple effect installations or without tap for emergency installations. Available in three different capacities to allow several applications and to limit the effort on the lever in any situation. The body is in cast-iron with phosphate treatment and the stem is in nickered steel.

	定货代码 Order code
	PM 50
内置截止阀 with valve	106-001-00022
无截止阀 without valve	106-001-00059

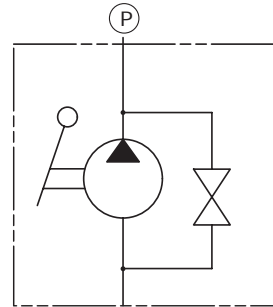


液压回路图 / Hydraulic layout

无截止阀 / WITHOUT VALVE



内置截止阀 / WITH VALVE



技术参数

Technical data

型号 Pump type	最高压力 Max. Pressure	排量 Displacement			重量 Weight
		Completa / Full cm ³ /ciclo	Tiro / Pull cm ³ /tiro	Spinta / Push cm ³ /spinta	
	bar				Kg
PM 50	250	50	29,8	20,7	5

密封圈 Seal kit	丁晴橡胶(NBR), 氟橡胶(FKM或FPM), 尼龙(Nylon) Mineral or synthetic compatible with the following seals: NBR, FKM, FPM, Nylon				
建议运动粘度 Kinematic viscosity suggested	T media ambiente (°C) Average ambient temp. (°C)	<-10	-10÷10	10÷35	>35
	VG (cSt = mm ² /s)	22	32	46	68
入口压力 Inlet pressure		-0,3 ÷ 2 bar			

手柄
Lever

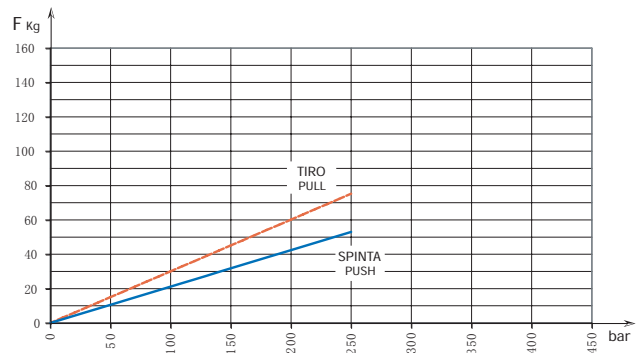
PM 50

106-000-00078

压力 — 手柄作用力图

Load while pumping with standard lever

PM 50



液压手动泵 (不带油箱) HAND PUMPS WITHOUT TANK

产品代码
FAMILY CODE

106

系列
SERIES

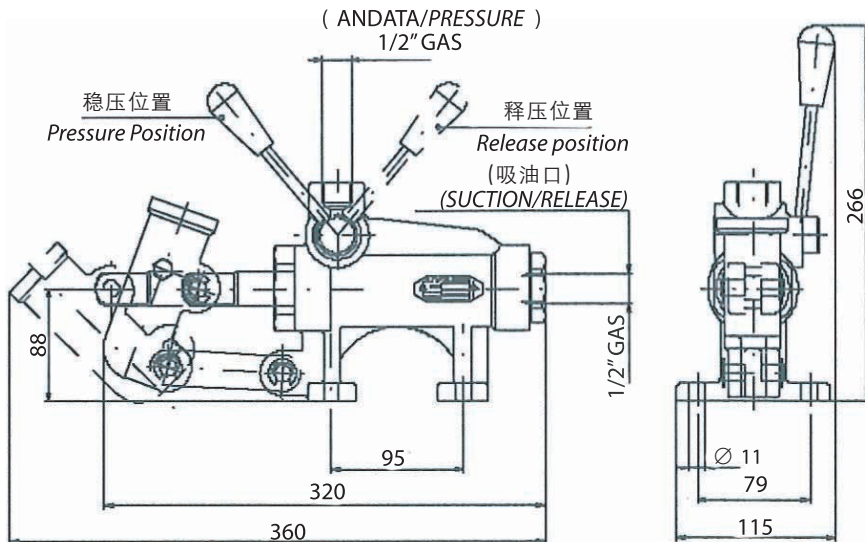
PM 70



PM 系列双作用手动泵泵体采用经磷化工艺处理的铸铁材料，有自带和不带截止阀两种型式，可分别适用于应急装置和简单作用的场合。并有20-50cm³-70cm³三种不同排量供选择，分别对应PM20、PM50 和 PM70，同时可选配镀锌手柄。

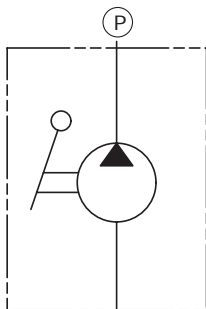
Hand pumps with double effect activation whether with drainage tap for simple effect installations or without tap for emergency installations. Available in three different capacities to allow several applications and to limit the effort on the lever in any situation. The body is in cast-iron with phosphate treatment and the stem is in nickered steel.

	定货代码 Order code
	PM 70
内置截止阀 with valve	106-001-00031
无截止阀 without valve	106-001-00068

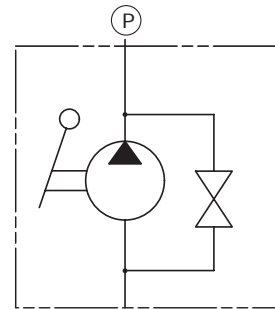


液压回路图 / Hydraulic layout

无截止阀 / WITHOUT VALVE



内置截止阀 / WITH VALVE



技术参数 Technical data

型号 Pump type	最高压力 Max. Pressure	排量 Displacement			重量 Weight
		Completa / Full cm ³ /ciclo	Tiro / Pull cm ³ /tiro	Spinta / Push cm ³ /spinta	
	bar				Kg
PM 70	200	70	37,1	32,9	7,2

密封圈 Seal kit	丁晴橡胶(NBR), 氟橡胶(FKM或FPM), 尼龙(Nylon) Mineral or synthetic compatible with the following seals: NBR, FKM, FPM, Nylon				
建议运动粘度 Kinematic viscosity suggested	T media ambiente (°C) Average ambient temp. (°C)	<-10	-10÷10	10÷35	>35
	VG (cSt = mm ² /s)	22	32	46	68
入口压力 Inlet pressure		-0,3 ÷ 2 bar			

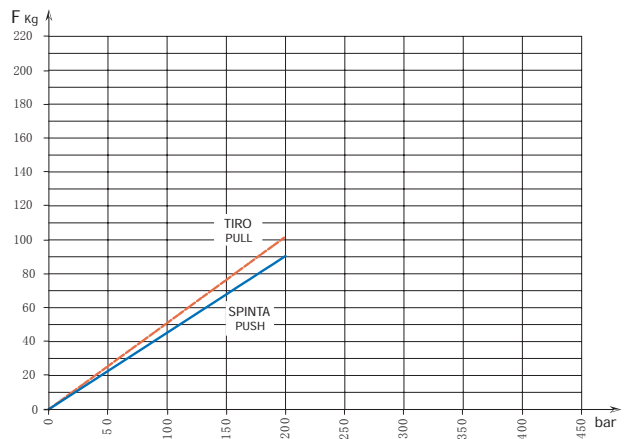
手柄
Lever

PM 70

106-000-00014

压力 — 手柄作用力图 Load while pumping with standard lever

PM 70



液压手动泵
HAND PUMPS

系列
SERIES

PMS
12-25-45

Codice foglio: 997-106-00410 Rev. AC

Codice fascicolo: 997-400-10610 Rev. AC

Data: Martedì 12 giugno 2007



PMS 系列双作用手动泵泵体采用经电泳防腐工艺处理的球墨铸铁材料，内置带镀镍阀芯的截止阀，该系列有 12-25-45cm³ 三种排量供选择，分别对应 PMS12、PMS25 和 PMS45，同时可选配镀锌手柄和不同容量、材质的油箱。

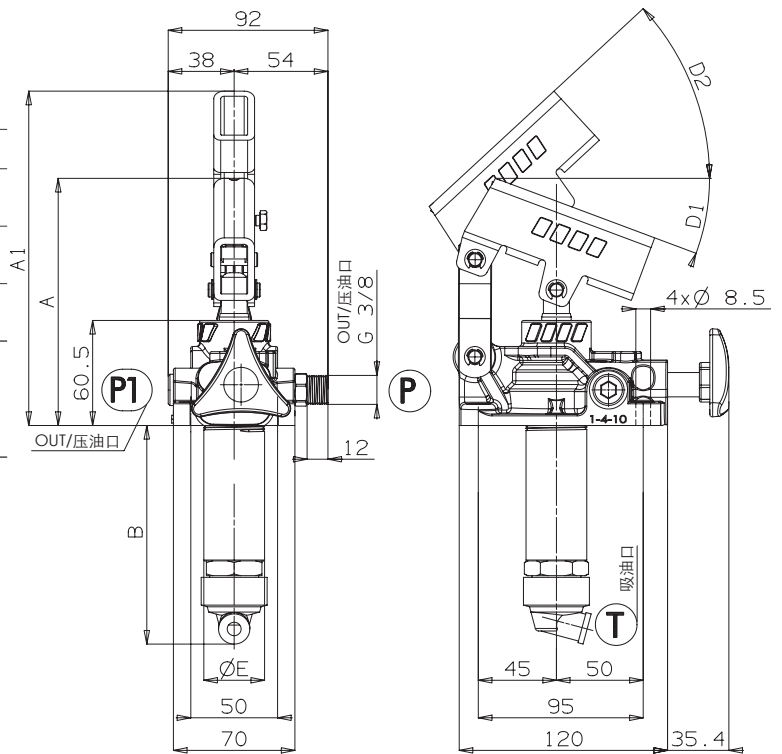
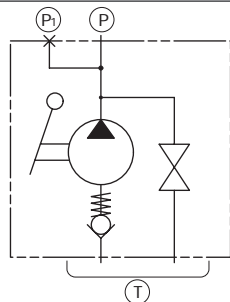
Double acting hand pumps suitable to operate single acting applications. They can be fitted also onto tank and are equipped with tapered lowering valve. These hand pumps can have 3 different sizes to perform various applications and to achieve smoother loads on the lever. They are available with nodular cast-iron body with cathodoresis anti-corrosion treatment and nickel-plated spool.

	定货代码 Order code		
	FULCRO 12	FULCRO 25	FULCRO 45
无油箱 Without Tank	106-015-00017	106-004-00010	106-004-00029
配置油箱 (L) With Tank Litri / Litres	1	106-014-00018	106-002-00012
	2	106-014-00027	106-002-00021
	3	106-014-00036	106-002-00030
	5	106-014-00045	106-002-00049
	7	106-014-00054	106-002-00058
10	106-014-00063	106-002-00067	106-003-00048

尺寸
Overall Dimension

	A	A1	B	C	D1	D2	E
	mm	mm	mm	mm	°	°	mm
FULCRO 12	143	187	120	2,8	18,5	45	35
FULCRO 25	142	193	127	3,7	20	45	35
FULCRO 45	141	193	138	3,7	20	45	42

液压回路图
Hydraulic layout



技术参数
Technical data


型号 Pump type	最高压力 Max. Pressure bar	排量 Displacement			重量 Weight Kg
		Completa / Full cm ³	Tiro / Pull cm ³	Spinta / Push cm ³	
FULCRO 12	350	12	6,1	5,9	2,8
FULCRO 25	300	25	13,4	11,6	2,9
FULCRO 45	270	45	23,7	21,3	3,2

密封圈 Seal kit	丁晴橡胶(NBR), 氟橡胶(FKM或FPM), 尼龙(Nylon) Mineral or synthetic compatible with the following seals: NBR, FKM, FPM, Nylon				
建议运动粘度 Kinematic viscosity suggested	T media ambiente (°C) Average ambient temp. (°C)	<-10	-10÷10	10÷35	>35
	VG (cSt = mm ² /s)	22	32	46	68
入口压力 Inlet pressure	-0,3 ÷ 2 bar				

密封圈 Seal kit		
FULCRO 12	FULCRO 25	FULCRO 45
106-900-00408	106-900-00453	106-900-00506



106-000-00032 油箱安装支座 (PMS,PMI)
MOUNTING PLATE FOR TANK PMS-PMI



106-000-00078 手柄 (PMS/PMI 600mm 35x15)
LEVER FOR PMS/PMI L. 600 MM 35x15

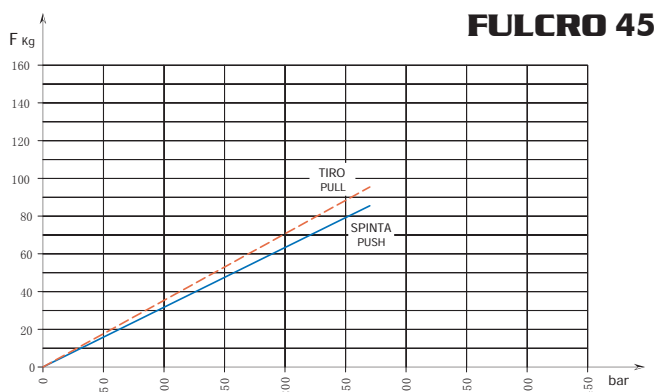
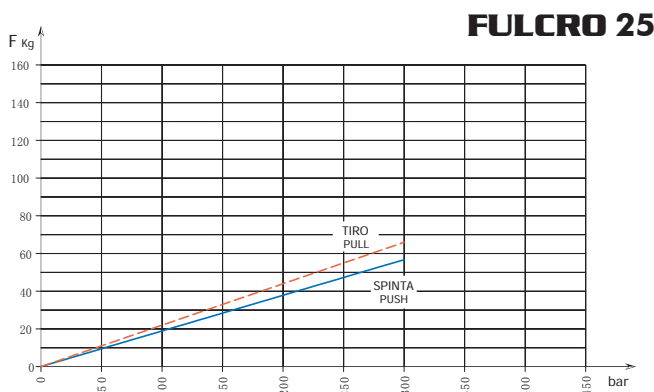
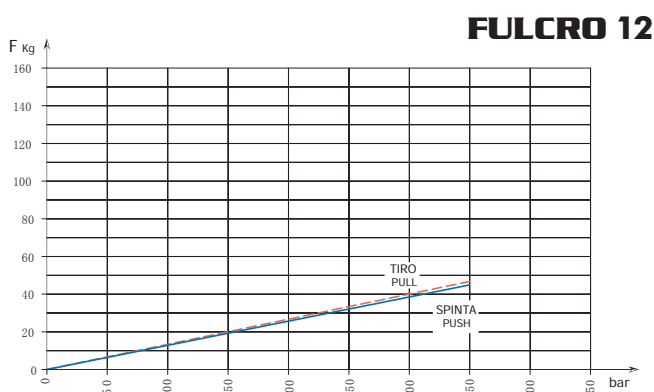


106-000-00247 弹簧 (PMS)
SPRING RETURN FOR PMS



106-960-00700 安装配件 (PMS/PMI)
MOUNTING KIT FOR PUMPS PMS/PMI

压力 — 手柄作用力图
Load while pumping with standard lever



液压手动泵(内置截止阀和安全阀)
HAND PUMPS WITH SAFETY VALVE

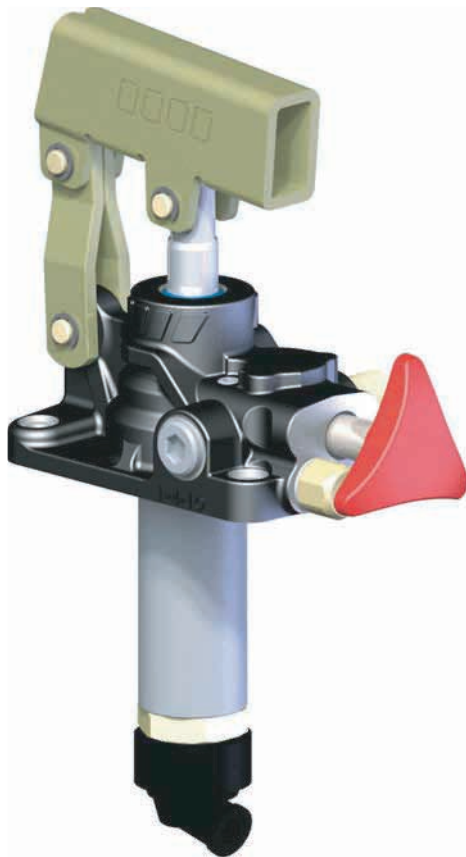
系列
SERIES

PMS+VS
12-25-45

Codice foglio: 997-106-01010 Rev. AC

Codice fascicolo: 997-400-10610 Rev.AC

Data: Martedì 12 giugno 2007



PMS+VS 系列双作用手动泵泵体采用经电泳防腐工艺处理的球墨铸铁材料, 内置带镀镍阀芯的截止阀和安全阀, 该系列有12-25-45cm³三种排量供选择, 分别对应PMS12+VS、PMS25+VS 和 PMS45+VS, 同时可选配镀锌手柄和不同容量、材质的油箱。

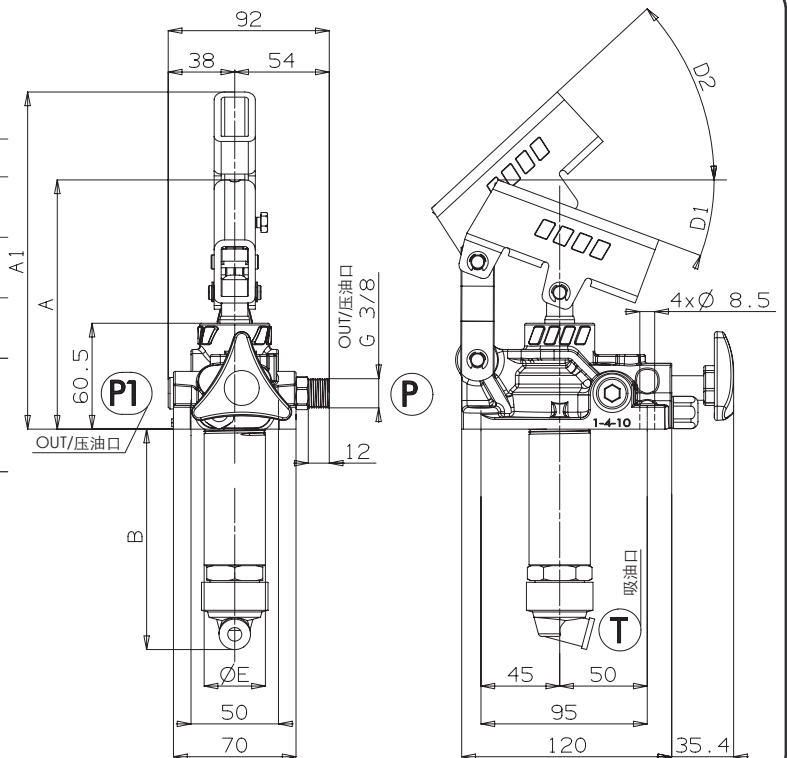
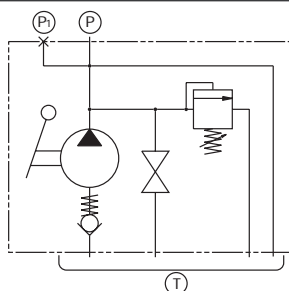
Double acting hand pumps suitable to operate single acting applications. They can be fitted also onto tank and are equipped with tapered lowering valve and with built-in adjustable safety valve. These hand pumps can have 3 different sizes to perform various applications and to achieve smoother loads on the lever. They are available with nodular cast-iron body with cathaphoresis anti-corrosion treatment and nickel-plated spool.

	定货代码 Order code			
	FULCRO 12	FULCRO 25	FULCRO 45	
无油箱 Without Tank	106-019-00013	106-010-00012	106-010-00021	
配置油箱 (L) With Tank Litri / Litres	1	106-018-00014	106-008-00016	106-009-00060
	2	106-018-00023	106-008-00025	106-009-00051
	3	106-018-00032	106-008-00034	106-009-00015
	5	106-018-00041	106-008-00043	106-009-00024
	7	106-018-00050	106-008-00052	106-009-00033
10	106-018-00069	106-008-00061	106-009-00042	

尺寸
Overall Dimension

	A	A1	B	C	D1	D2	E
	mm	mm	mm	mm	°	°	mm
FULCRO 12	143	187	120	2,8	18,5	45	35
FULCRO 25	142	193	127	3,7	20	45	35
FULCRO 45	141	193	138	3,7	20	45	42

液压回路图
Hydraulic layout



技术参数
Technical data

型号 Pump type	标准压力 Standard pressure setting	最高压力 Max. Pressure	排量 Displacement			重量 Weight
			Completa / Full cm ³	Tiro / Pull cm ³	Spinta / Push cm ³	
FULCRO 12	160	300	12	6,1	5,9	2,8
FULCRO 25	160	300	25	13,4	11,6	2,9
FULCRO 45	160	270	45	23,7	21,3	3,2

密封圈 Seal kit	丁晴橡胶(NBR), 氟橡胶(FKM或FPM), 尼龙(Nylon) Mineral or synthetic compatible with the following seals: NBR, FKM, FPM, Nylon				
建议运动粘度 Kinematic viscosity suggested	T media ambiente (°C) Average ambient temp. (°C)	<-10	-10÷10	10÷35	>35
	VG (cSt = mm ² /s)	22	32	46	68
入口压力 Inlet pressure		-0,3 ÷ 2 bar			

密封圈
Seal kit

FULCRO 12	FULCRO 25	FULCRO 45
106-900-00408	106-900-00453	106-900-00506



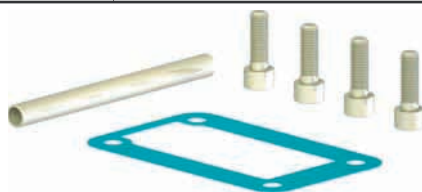
106-000-00032 油箱安装支座 (PMS,PMI)
MOUNTING PLATE FOR TANK PMS-PMI



106-000-00078 手柄 (PMS/PMI 600mm 35x15)
LEVER FOR PMS/PMI L. 600 MM 35x15

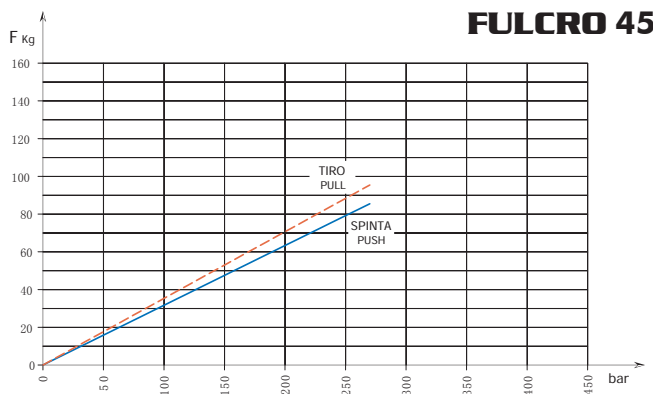
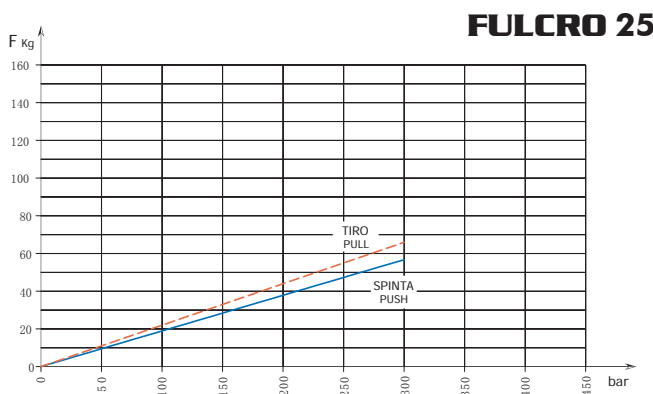
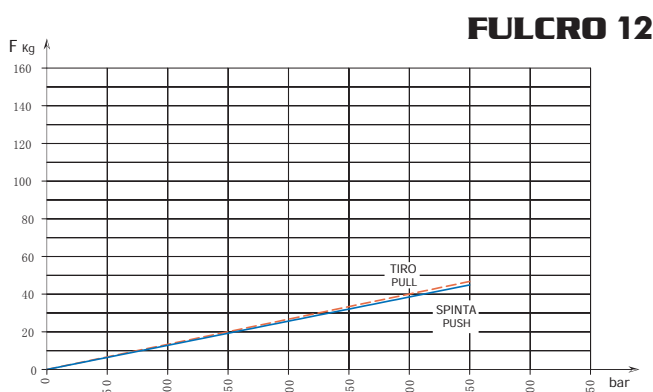


106-000-00247 弹簧 (PMS)
SPRING RETURN FOR PMS



106-960-00700 安装配件 (PMS/PMI)
MOUNTING KIT FOR PUMPS PMS/PMI

压力 — 手柄作用力图
Load while pumping with standard lever



"FULCRO"

产品代码
FAMILY CODE

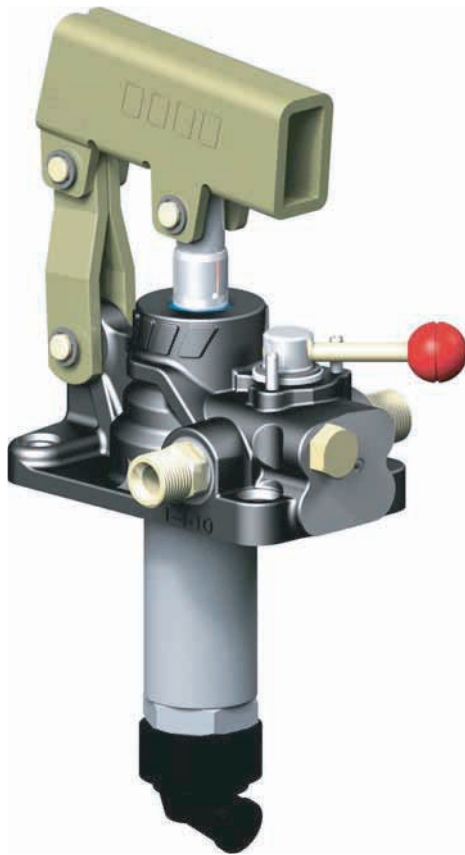
106

液压手动泵 (内置换向阀)
HAND PUMPS
WITH DIRECTIONAL CONTROL VALVE

系列
SERIES

PMI
12-25-45

Codice foglio: 997-106-00710 Rev. AC



PMI 系列双作用手动泵泵体采用经电泳防腐工艺处理的球墨铸铁材料，内置带镀镍阀芯的换向阀，该系列有12-25-45cm³三种不同排量供选择，分别对应PMI 12、PMI 25 和 PMI 45，同时可选配镀锌手柄和不同容量、材质的油箱。

Double acting hand pumps suitable to operate double acting applications. They can be fitted also onto tank and are equipped with built-in directional control valve. These hand pumps can have 3 different sizes to perform various applications and to achieve smoother loads on the lever. They are available with nodular cast-iron body with cathodolysis anti-corrosion treatment and nickel-plated spool.

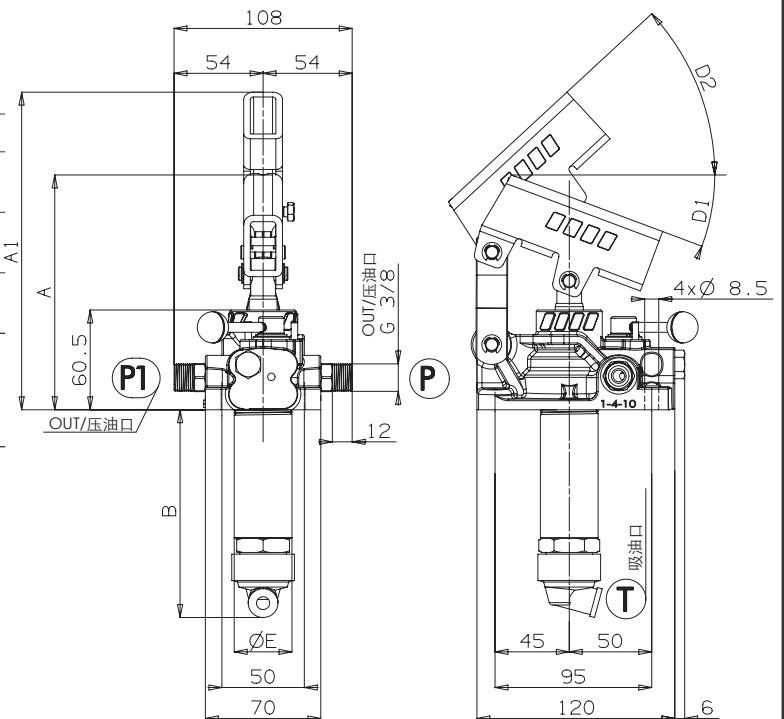
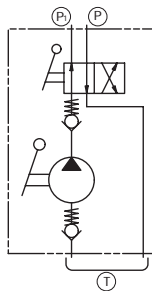
Codice fascicolo: 997-400-10610 Rev.AC

		定货代码 Order code		
		FULCRO 12	FULCRO 25	FULCRO 45
无油箱 Without Tank		106-017-00015	106-007-00017	106-007-00026
配置油箱 (L) With Tank Litri / Litres	1	106-016-00016	106-005-00019	106-006-00063
	2	106-016-00025	106-005-00028	106-006-00054
	3	106-016-00034	106-005-00037	106-006-00018
	5	106-016-00043	106-005-00046	106-006-00027
	7	106-016-00052	106-005-00055	106-006-00036
	10	106-016-00061	106-005-00064	106-006-00045

尺寸 Overall Dimension

	A	A1	B	C	D1	D2	E
	mm	mm	mm	mm	°	°	mm
FULCRO 12	143	187	120	2,8	18,5	45	35
FULCRO 25	142	193	127	3,7	20	45	35
FULCRO 45	141	193	138	3,7	20	45	42

液压回路图 Hydraulic layout



Data: Martedì 12 giugno 2007

pag.11

技术参数
Technical data


型号 Pump type	最高压力 Max. Pressure bar	排量 Displacement			重量 Weight Kg
		Completa / Full cm ³ /ciclo	Tiro / Pull cm ³ /ciclo	Spinta / Push cm ³ /ciclo	
FULCRO 12	350	12	6,1	5,9	2,9
FULCRO 25	300	25	13,4	11,6	2,8
FULCRO 45	270	45	23,7	21,3	3,2

密封圈 Seal kit	丁晴橡胶(NBR), 氟橡胶(FKM或FPM), 尼龙(Nylon) Mineral or synthetic compatible with the following seals: NBR, FKM, FPM, Nylon				
建议运动粘度 Kinematic viscosity suggested	T media ambiente (°C) Average ambient temp. (°C)	<-10	-10÷10	10÷35	>35
	VG (cSt = mm ² /s)	22	32	46	68
入口压力 Inlet pressure		-0,3 ÷ 2 bar			


密封圈 Seal kit		
FULCRO 12	FULCRO 25	FULCRO 45
106-900-00551	106-900-00604	106-900-00659



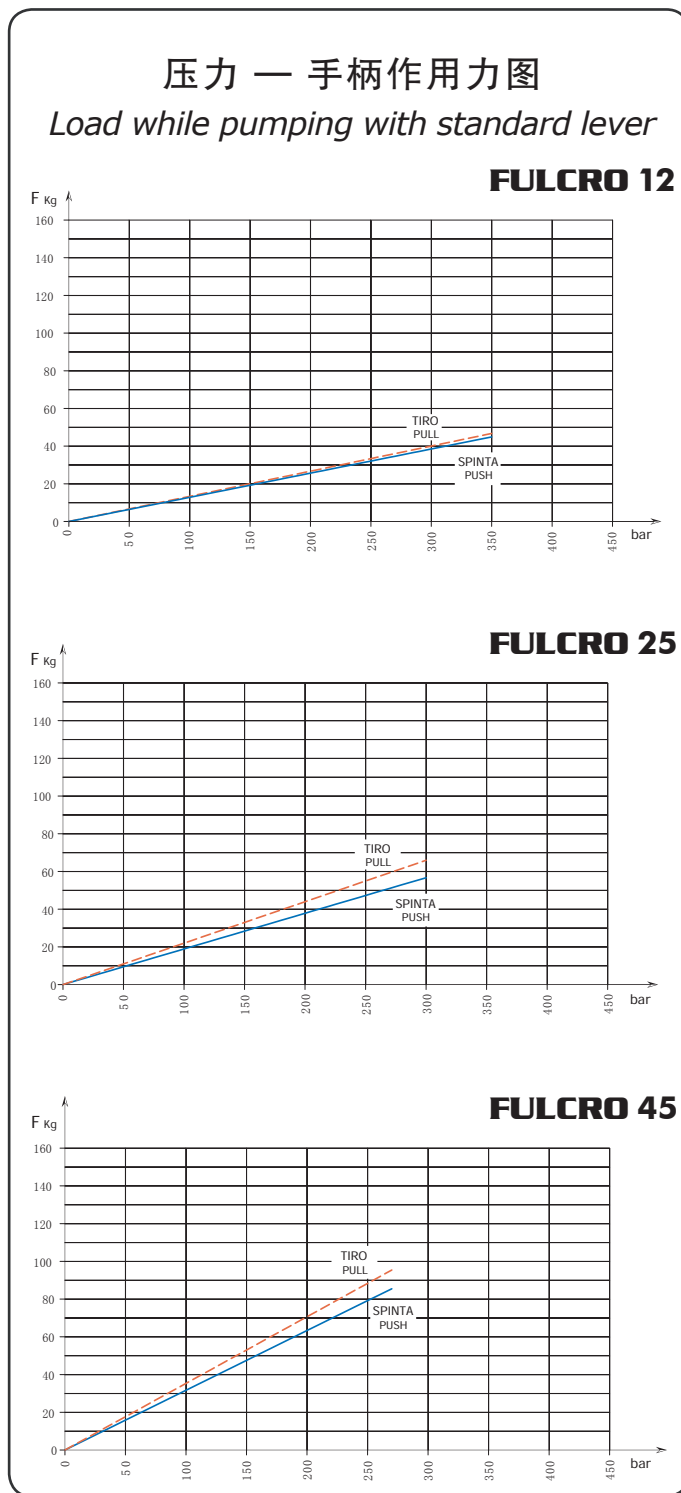
106-000-00032 | 油箱安装支座 (PMS, PMI)
MOUNTING PLATE FOR TANK PMS-PMI



106-000-00078 | 手柄 (PMS/PMI 600mm 35x15)
LEVER FOR PMS/PMI L. 600 MM 35x15



106-960-00700 | 安装配件 (PMS/PMI)
MOUNTING KIT FOR PUMPS PMS/PMI



Codice foglio: 997-106-00710 Rev. AC

Codice fascicolo: 997-400-10610 Rev. AC

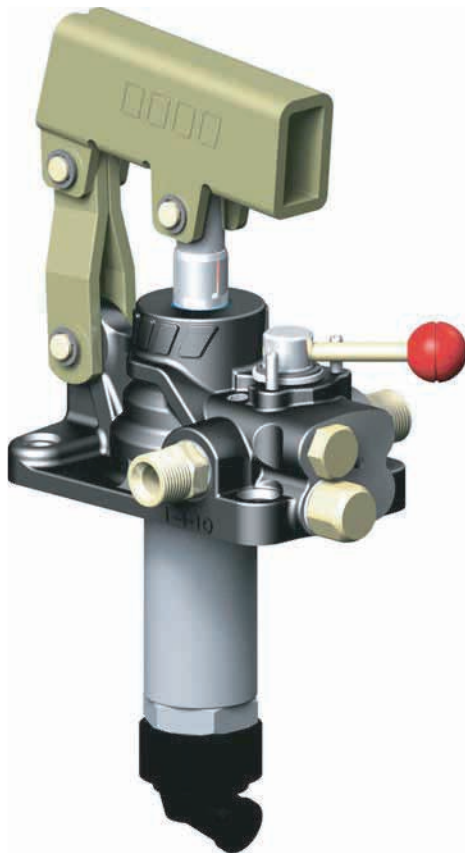
Data: Martedì 12 giugno 2007

液压手动泵(内置换向阀和安全阀)
HAND PUMPS WITH SAFETY VALVE AND
DIRECTIONAL CONTROL VALVE

系列
SERIES

PMI+VS
12-25-45

Codice foglio: 997-106-01310 Rev. AC



Codice fascicolo: 997-400-10610 Rev.AC

Data: Martedì 12 giugno 2007

PMI+VS 系列双作用手动泵泵体采用经电泳防腐工艺处理的球墨铸铁材料, 内置带镀镍阀芯的换向阀和安全阀, 该系列有12-25-45cm³三种排量供选择, 分别对应PMI12+VS、PMI25+VS 和 PMI45+VS, 同时可选配镀锌手柄和不同容量、材质的油箱。

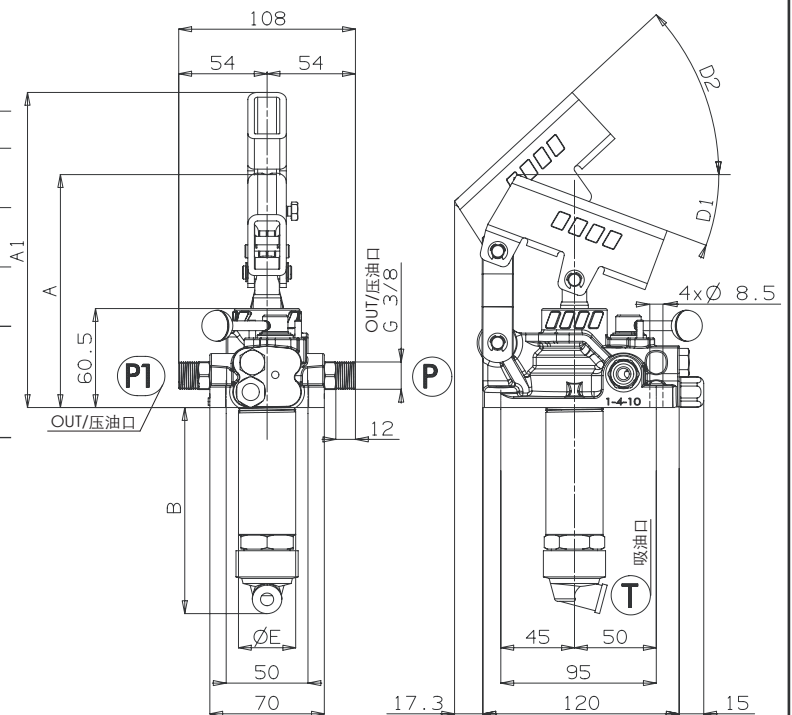
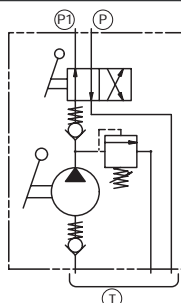
Double acting hand pumps suitable to operate double acting applications. They can be fitted also onto tank and are equipped with built-in directional control valve and with adjustable safety valve. These hand pumps can have 3 different sizes to perform various applications and to achieve smoother loads on the lever. They are available with nodular cast-iron body with cathaphoresis anti-corrosion treatment and nickel-plated spool.

		定货代码 Order code		
		FULCRO 12	FULCRO 25	FULCRO 45
无油箱 Without Tank		106-021-00019	106-013-00019	106-013-00028
配置油箱 (L) With Tank Litri / Litres	1	106-020-00010	106-011-00011	106-012-00065
	2	106-020-00029	106-011-00020	106-012-00056
	3	106-020-00038	106-011-00039	106-012-00010
	5	106-020-00047	106-011-00048	106-012-00029
	7	106-020-00056	106-011-00057	106-012-00038
	10	106-020-00065	106-011-00066	106-012-00047

尺寸
Overall Dimension

	A	A1	B	C	D1	D2	E
	mm	mm	mm	mm	°	°	mm
FULCRO 12	143	187	120	2,8	18,5	45	35
FULCRO 25	142	193	127	3,7	20	45	35
FULCRO 45	141	193	138	3,7	20	45	42

液压回路图
Hydraulic layout

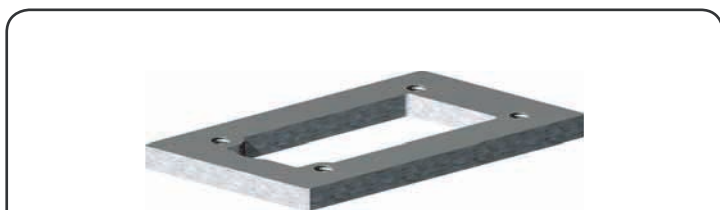


技术参数
Technical data

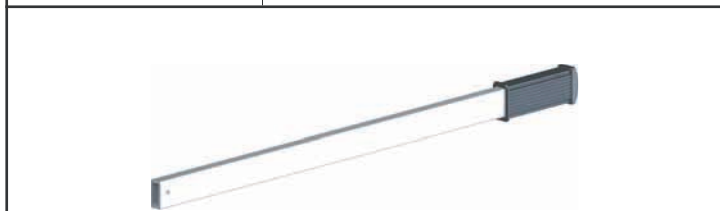
型号 Pump type	标准压力 Standard pressure setting	最高压力 Max. Pressure	排量 Displacement			重量 Weight
			Completa / Full cm ³	Tiro / Pull cm ³	Spinta / Push cm ³	
FULCRO 12	160	300	12	6,1	5,9	2,9
FULCRO 25	160	300	25	13,4	11,6	2,9
FULCRO 45	160	270	45	23,7	21,3	3,2

密封圈 Seal kit	丁晴橡胶(NBR), 氟橡胶(FKM或FPM), 尼龙(Nylon) Mineral or synthetic compatible with the following seals: NBR, FKM, FPM, Nylon				
建议运动粘度 Kinematic viscosity suggested	T media ambiente (°C) Average ambient temp. (°C)	<-10	-10÷10	10÷35	>35
	VG (cSt = mm ² /s)	22	32	46	68
入口压力 Inlet pressure		-0,3 ÷ 2 bar			

密封圈 Seal kit		
FULCRO 12	FULCRO 25	FULCRO 45
106-900-00551	106-900-00604	106-900-00659



106-000-00032 油箱安装支座 (PMS,PMI)
MOUNTING PLATE FOR TANK PMS-PMI

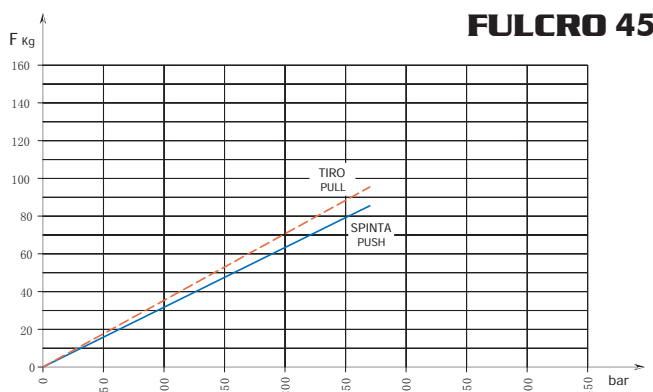
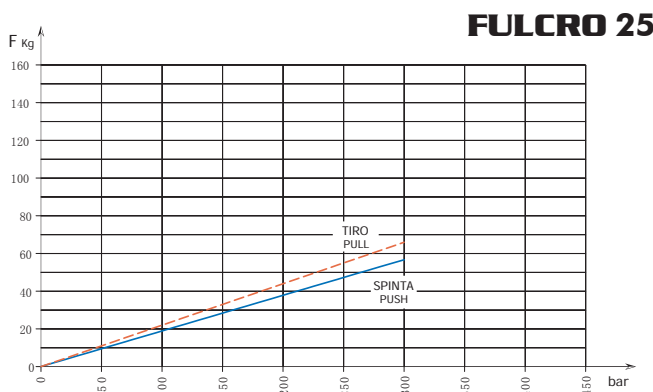
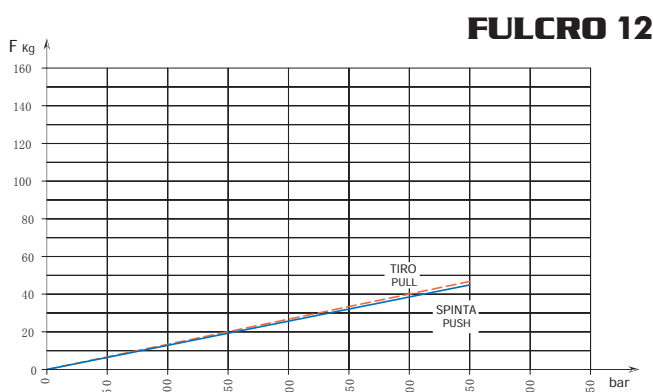


106-000-00078 手柄 (PMS/PMI 600mm 35x15)
LEVER FOR PMS/PMI L. 600 MM 35x15



106-960-00700 安装配件 (PMS/PMI)
MOUNTING KIT FOR PUMPS PMS/PMI

压力 — 手柄作用力图
Load while pumping with standard lever



单作用液压手动泵

产品代码
FAMILY CODE

106

SINGLE ACTING HAND PUMPS

系列
SERIES

PMSE 10-15

Codice foglio: 997-106-01510 Rev. AA



PMSE 系列单作用手动泵泵体采用经磷化工艺处理的铸铁材料，内置截止阀，该系列有10-15cm³两种排量供选择，分别对应PMSE10和PMSE15，同时可选配镀锌手柄和不同容量、材质的油箱。

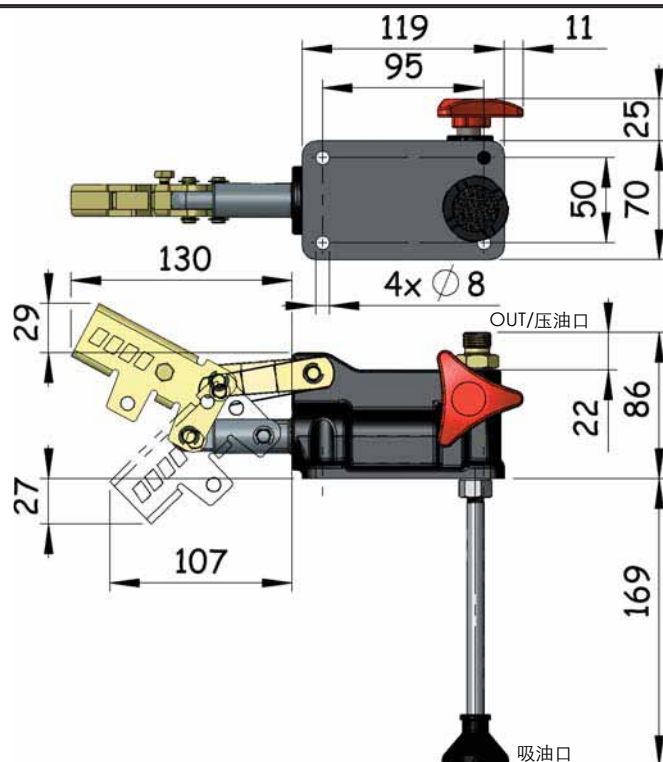
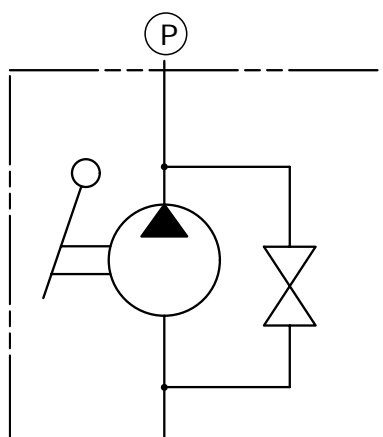
Available in two different capacities to allow several applications and to limit the effort on the lever in any situation. The body is in cast-iron with phosphate treatment and the stem is in chromate steel.

		定货代码 Order code	
		PMSE 10	PMSE 15
无油箱 Without Tank		106-036-00030	106-036-00058
配置油箱 (L) With Tank Litri / Litres	1	106-030-00027	106-032-00025
	2	106-030-00045	106-032-00043
	3	106-030-00063	106-032-00061
	5	106-030-00081	106-032-00089
	7	106-030-00090	106-032-00098
	10	106-030-00107	106-032-00105

Codice fascicolo: 997-400-10610 Rev.AC

液压回路图 Hydraulic layout

内置截止阀 / WITH VALVE



Data: Martedì 12 giugno 2007

pag.15

OMFB
HYDRAULIC COMPONENTS®

上海文胜机械设备有限公司
电话：021-51873752; 021-64881088
传真：021-51873753; 021-61294715
邮件：sales@wenshengsh.com
网址：www.wenshengsh.com

本公司通过
ISO 9001/2000
质量体系认证

技术参数
Technical data


型号 Pump type	最高压力 Max. Pressure	排量 Displacement	重量 Weight
	bar		Kg
PMSE 10	350	10	
PMSE 15	300	15	

密封圈 Seal kit	丁晴橡胶(NBR), 氟橡胶(FKM或FPM), 尼龙(Nylon) Mineral or synthetic compatible with the following seals: NBR, FKM, FPM, Nylon				
建议运动粘度 Kinematic viscosity suggested	T media ambiente (°C) Average ambient temp. (°C)	<-10	-10÷10	10÷35	>35
	VG (cSt = mm ² /s)	22	32	46	68
入口压力 Inlet pressure		-0,3 ÷ 2 bar			

密封圈
Seal kit

PMSE 10 / PMSE 15

106-900-00104



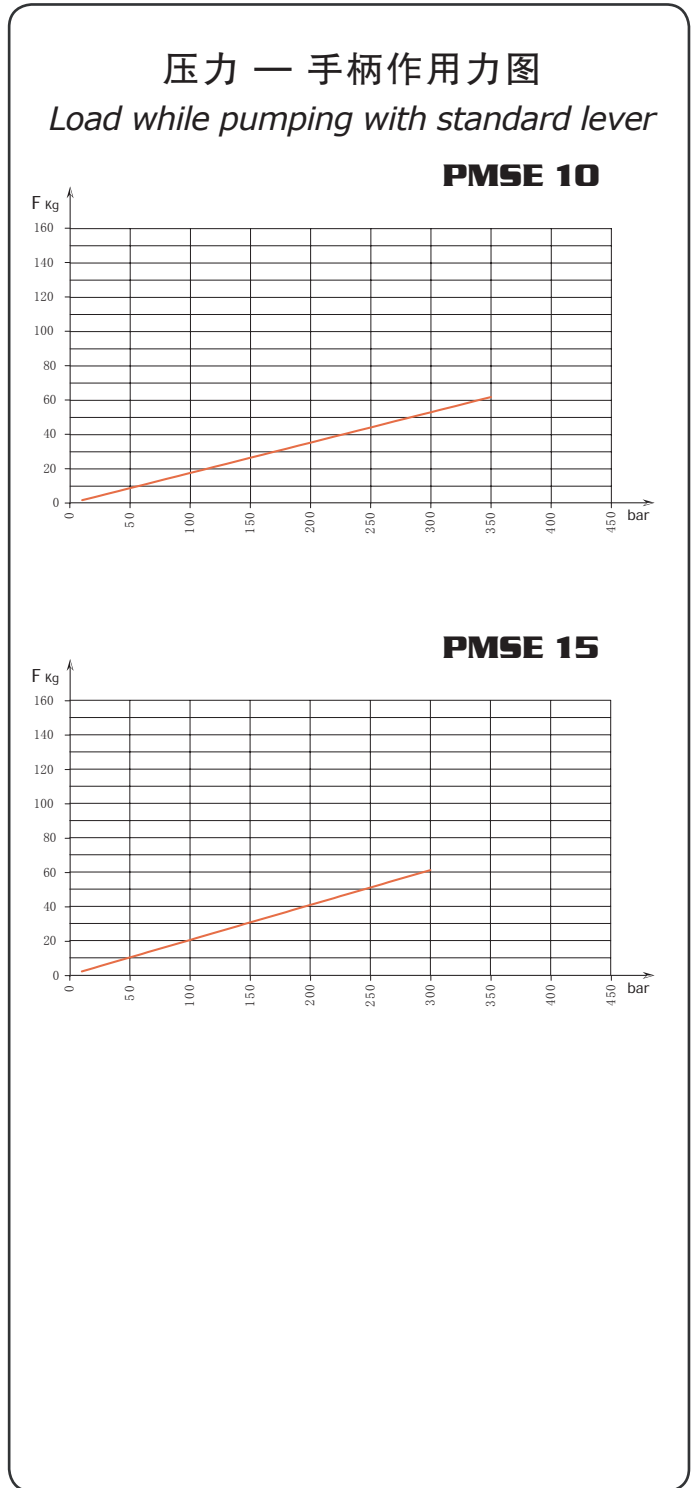
106-000-00032 | 油箱安装支座 (PMS, PMI)
MOUNTING PLATE FOR TANK PMS-PMI-PMSE



106-000-00176 | 手柄 (PMS/PMI 600mm 25x10)
LEVER FOR PMS/PMI L. 600 MM 25x10



106-960-00906 | 安装配件 (PMS/PMI)
MOUNTING KIT FOR PUMPS PMSE














塑料和铝质油箱

PLASTIC AND ALUMINIUM TANK ASSEMBLY

油箱 TANKS

Codice foglio: 997-106-80010 Rev.//

Codice fascicolo: 997-400-10610 Rev.AA

1L 铝质油箱 1 litre tank in aluminium.		2L 油箱 2 litres tank:		3L 油箱 3 litres tank:	
		塑料 Plastic	铝质 Aluminium	塑料 Plastic	铝质 Aluminium
					
5L 油箱 5 litres tank:		7L 油箱 7 litres tank:		10L 油箱 10 litres tank:	
塑料 Plastic	铝质 Aluminium	塑料 Plastic	铝质 Aluminium	塑料 Plastic	铝质 Aluminium
					

油箱材质 TANK'S MATERIAL	订货代码 ORDER CODE	容量 (L) CAPACITY	描述 DESCRIPTION	重量 WEIGHT
塑料 PLASTIC	106-800-00025	2	SRB. CMP.PM S/2/ TANK 2 LT	1,8
	106-800-00034	3	SRB. CMP.PM S/3/ TANK 3 LT	1,9
	106-800-00043	5	SRB. CMP.PM S/5/ TANK 5 LT	2
	106-800-00052	7	SRB. CMP.PM S/7/ TANK 7 LT	2,4
	106-800-00061	10	SRB. CMP.PM S/10/ TANK 10 LT	2,9
铝质 ALUMINIUM	106-800-00016	1	SRB. CMP.PM S/1/ TANK 1 LT	1,1
	106-800-00203	2	SRB. CMP.PM S/2/ TANK 2 LT	1,9
	106-800-00301	3	SRB. CMP.PM S/3/ TANK 3 LT	2
	106-800-00507	5	SRB. CMP.PM S/5/ TANK 5 LT	2,5
	106-800-00703	7	SRB. CMP.PM S/7/ TANK 7 LT	3,9
	106-800-01006	10	SRB. CMP.PM S/10/ TANK 10 LT	5,2

Data: Mercoledì 15 dicembre 2004